

Filter, Series NL2-FLS

- G 1/4 G 3/8
- filter porosity 5 µm
- suitable for ATEX



Type	Standard filter, Can be assembled into blocks
Parts	Filter
Mounting orientation	vertical
Certificates	suitable for ATEX
Working pressure min./max.	2 ... 16 bar
Ambient temperature min./max.	-10 ... 60 °C
Medium temperature min./max.	-10 ... 60 °C
Medium	Compressed air Neutral gases
Filter reservoir volume	25 cm ³
Filter element	exchangeable
filter porosity	5 µm
Condensate drain	See table below
Weight	See table below

Technical data

Part No.	Port	Flow Qn	Condensate drain
0821303400	G 1/4	2100 l/min	semi-automatic, open without pressure
0821303401	G 1/4	2100 l/min	semi-automatic, open without pressure
0821303402	G 1/4	2100 l/min	semi-automatic, open without pressure
0821303403	G 1/4	2100 l/min	fully automatic, open without pressure
0821303404	G 1/4	2100 l/min	fully automatic, open without pressure
0821303405	G 1/4	2100 l/min	fully automatic, open without pressure
0821303440	G 3/8	2100 l/min	semi-automatic, open without pressure
0821303441	G 3/8	2100 l/min	semi-automatic, open without pressure
0821303442	G 3/8	2100 l/min	semi-automatic, open without pressure
0821303443	G 3/8	2100 l/min	fully automatic, open without pressure
0821303444	G 3/8	2100 l/min	fully automatic, open without pressure
0821303445	G 3/8	2100 l/min	fully automatic, open without pressure

Part No.	Version	Weight
0821303400	reservoir, polycarbonate, without protective guard	0,275 kg
0821303401	reservoir, polycarbonate, with metal protective guard	0,316 kg
0821303402	reservoir, metal, with inspection glass	0,45 kg
0821303403	reservoir, polycarbonate, without protective guard	0,307 kg
0821303404	reservoir, polycarbonate, with metal protective guard	0,348 kg
0821303405	reservoir, metal, with inspection glass	0,482 kg
0821303440	reservoir, polycarbonate, without protective guard	0,275 kg

Part No.	Version	Weight
0821303441	reservoir, polycarbonate, with metal protective guard	0,316 kg
0821303442	reservoir, metal, with inspection glass	0,45 kg
0821303443	reservoir, polycarbonate, without protective guard	0,307 kg
0821303444	reservoir, polycarbonate, with metal protective guard	0,348 kg
0821303445	reservoir, metal, with inspection glass	0,482 kg

Nominal flow Q_n with secondary pressure $p_2 = 6$ bar at $\Delta p = 1$ bar

Suitable for use in Ex zones 1, 2, 21, 22.

Technical information

The pressure dew point must be at least 15 °C under ambient and medium temperature and may not exceed 3 °C .

Suitable for use in Ex zones 1, 2, 21, 22.

A change in the flow direction (from air supply on the left to air supply on the right) occurs by rotating installation by 180° about the vertical axis. Please see the operating instructions for further details.

Note: Polycarbonate reservoirs are susceptible to solvents, supplementary information can be found at "Customer information".

Also suitable for separation of fluid oil or water due to the design.

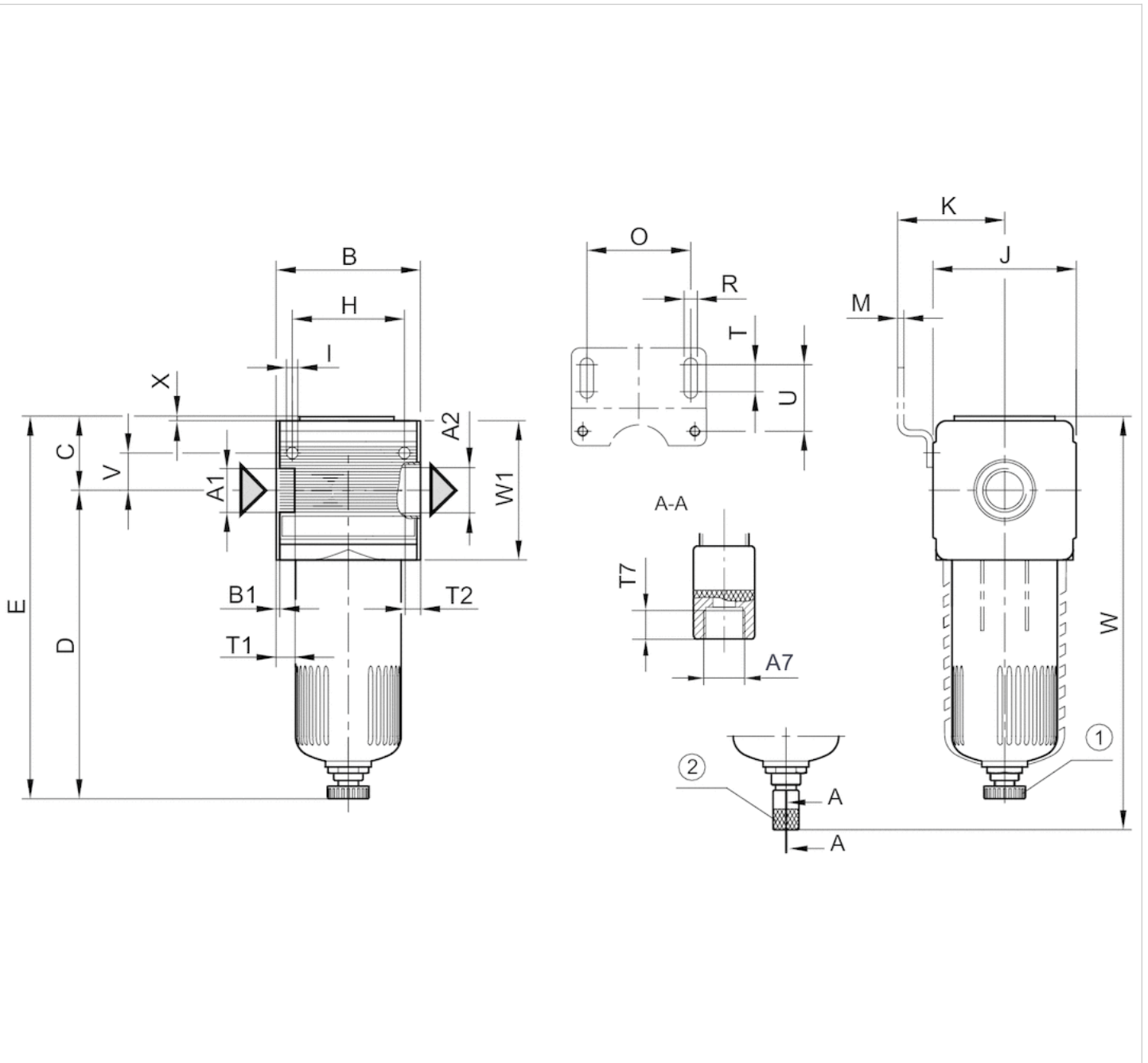
Max. achievable compressed air class acc. to ISO 8573-1:2010 6 : 7 : -

Technical information

Material	
Housing	Die cast zinc
Front plate	Acrylonitrile butadiene styrene
Seals	Acrylonitrile butadiene rubber
Reservoir	Polycarbonate Die cast zinc
Protective guard	Steel
Filter insert	Cellpor

Dimensions

Dimensions



- A1 = input
- A2 = output
- A7 = condensate drain
- 1) Semi-automatic condensate drain
- 2) fully automatic condensate drain

Dimensions in mm

A1	A2	A7	B	B1	C	D	E	H	I	J	K	M	O	R	T	T1	T2	T7	U	V	W	W1
G 1/4	G 1/4	G 1/8	48	1.5	27.5	124.5	152	36	4.4	47	43.5	3	38	5.4	8	9.5	9.5	8.5	27.5	12.3	165	156
G 3/8	G 3/8	G 1/8	48	1.5	27.5	124.5	152	36	4.4	47	43.5	3	38	5.4	8	9.5	9.5	8.5	27.5	12.3	165	156

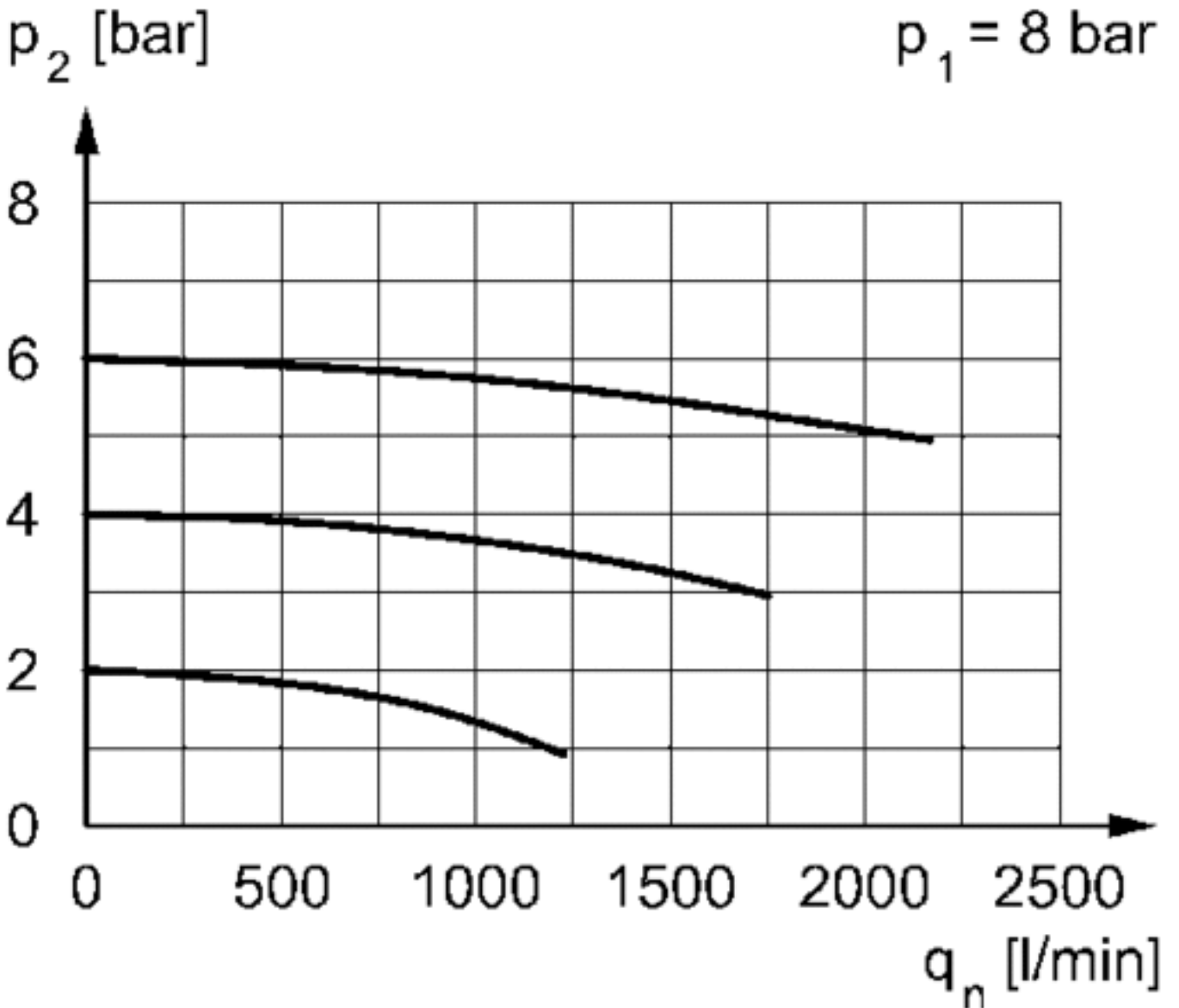
X

1.5

1.5

Diagrams

Flow rate characteristic



p1 = Working pressure
 p2 = Secondary pressure

q_n = Nominal flow

Efficient pneumatic solutions, our program: cylinders and drives, valves and valve systems, air supply management



Visit us: [Emerson.com/Aventics](https://www.emerson.com/Aventics)

Your local contact: [Emerson.com/contactus](https://www.emerson.com/contactus)



Emerson.com



Facebook.com/EmersonAutomationSolutions



LinkedIn.com/company/Emerson-Automation-Solutions



Twitter.com/EMR_Automation

An example configuration is depicted on the title page. The delivered product may thus vary from that in the illustration. Subject to change. This Document, as well as the data, specifications and other information set forth in it, are the exclusive property of AVENTICS GmbH. It may not be reproduced or given to third parties without its consent. Only use the AVENTICS products shown in industrial applications. Read the product documentation completely and carefully before using the product. Observe the applicable regulations and laws of the respective country. When integrating the product into applications, note the system manufacturer's specifications for safe use of the product. The data specified only serve to describe the product. No statements concerning a certain condition or suitability for a certain application can be derived from our information. The information given does not release the user from the obligation of own judgement and verification. It must be remembered that the products are subject to a natural process of wear and aging.

The Emerson logo is a trademark and service mark of Emerson Electric Co. Brand logotype are registered trademarks of one of the Emerson family of companies. All other marks are the property of their respective owners. © 2020 Emerson Electric Co. All rights reserved.
2020-12



CONSIDER IT SOLVED™