

# Ventilsteckverbinder, Serie CON-VP

- Buchse Form C 2+E gewinkelt 90°
- offene Kabelenden 3-polig
- mit Kabel
- ungeschirmt



Umgebungstemperatur min./max.	-20 ... 80 °C
Betriebsspannung	Siehe Tabelle unten
Schutzart	IP67
Leiterquerschnitt	0,75 mm <sup>2</sup>
Anzugsmoment der Befestigungsschraube	0,4 Nm
Gewicht	Siehe Tabelle unten

## Technische Daten

Materialnummer		Betriebsspannung	Strom, max.	Schutzbeschaltung
1834484212		230 V AC/DC	6 A	-
1834484213		230 V AC/DC	6 A	-
1834484214		230 V AC/DC	6 A	-
1834484215		230 V AC/DC	6 A	-
1834484204		24 V AC/DC	6 A	Z-Diode
1834484205		24 V AC/DC	6 A	Z-Diode
1834484206		24 V AC/DC	6 A	Z-Diode
1834484207		24 V AC/DC	6 A	Z-Diode
1834484208		230 V AC/DC	6 A	Varistor
1834484209		230 V AC/DC	6 A	Varistor
1834484210		230 V AC/DC	6 A	Varistor
1834484211		230 V AC/DC	6 A	Varistor
1834484236		24 V AC/DC	6 A	Z-Diode

Materialnummer	Kontaktbelegung	Statusanzeige LED	Anzahl Leiter	Kabel-Ø	Kabellänge	Gewicht
1834484212	2+E	-	3	5,9 mm	3 m	0,183 kg
1834484213	2+E	-	3	5,9 mm	3 m	0,183 kg
1834484214	2+E	-	3	5,9 mm	5 m	0,308 kg
1834484215	2+E	-	3	5,9 mm	5 m	0,308 kg
1834484204	2+E	Gelb	3	5,9 mm	3 m	0,185 kg
1834484205	2+E	Gelb	3	5,9 mm	3 m	0,185 kg
1834484206	2+E	Gelb	3	5,9 mm	5 m	0,292 kg
1834484207	2+E	Gelb	3	5,9 mm	5 m	0,298 kg
1834484208	2+E	Gelb	3	5,9 mm	3 m	0,171 kg
1834484209	2+E	Gelb	3	5,9 mm	3 m	0,194 kg

Materialnummer	Kontaktbelegung	Statusanzeige LED	Anzahl Leiter	Kabel-Ø	Kabellänge	Gewicht
1834484210	2+E	Gelb	3	5,9 mm	5 m	0,297 kg
1834484211	2+E	Gelb	3	5,9 mm	5 m	0,285 kg
1834484236	2+E	Gelb	3	5,9 mm	10 m	0,571 kg

Materialnummer	Abb.	
1834484212	Fig. 1	-
1834484213	Fig. 2	-
1834484214	Fig. 1	-
1834484215	Fig. 2	-
1834484204	Fig. 1	1)
1834484205	Fig. 2	1)
1834484206	Fig. 1	1)
1834484207	Fig. 2	1)
1834484208	Fig. 1	1)
1834484209	Fig. 2	1)
1834484210	Fig. 1	1)
1834484211	Fig. 2	1)
1834484236	Fig. 2	1)

1) Lieferung inkl. Flachdichtung

## Technische Informationen

Die angegebene Schutzart gilt ausschließlich in montiertem und geprüfem Zustand.

## Technische Informationen

Werkstoff	
Dichtungen	Naturkautschuk / Butadien-Kautschuk
Kabelummantelung	Polyvinylchlorid

## Abmessungen

Fig. 1, Abmessungen in mm, 0° Buchseneinsatz

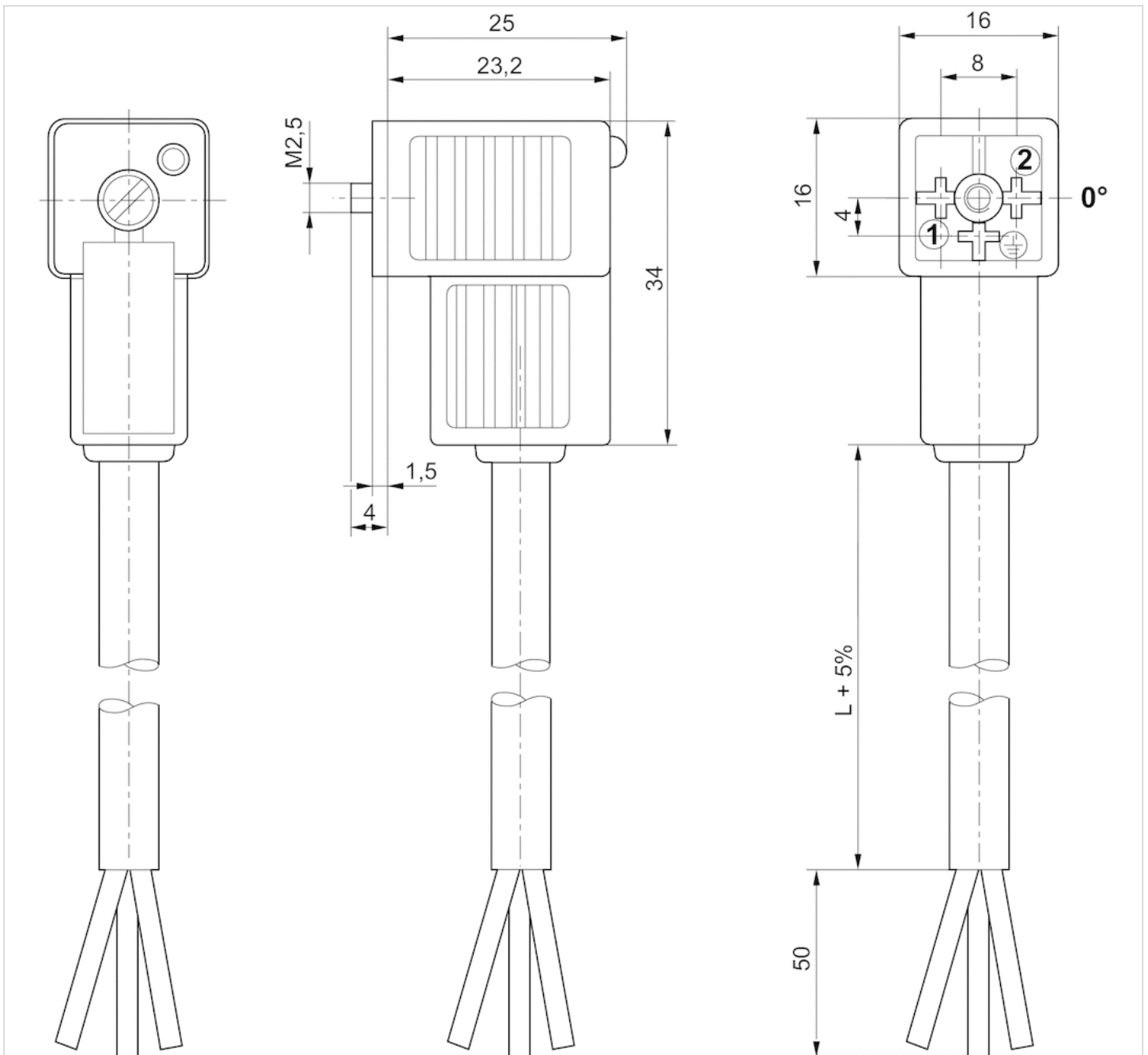
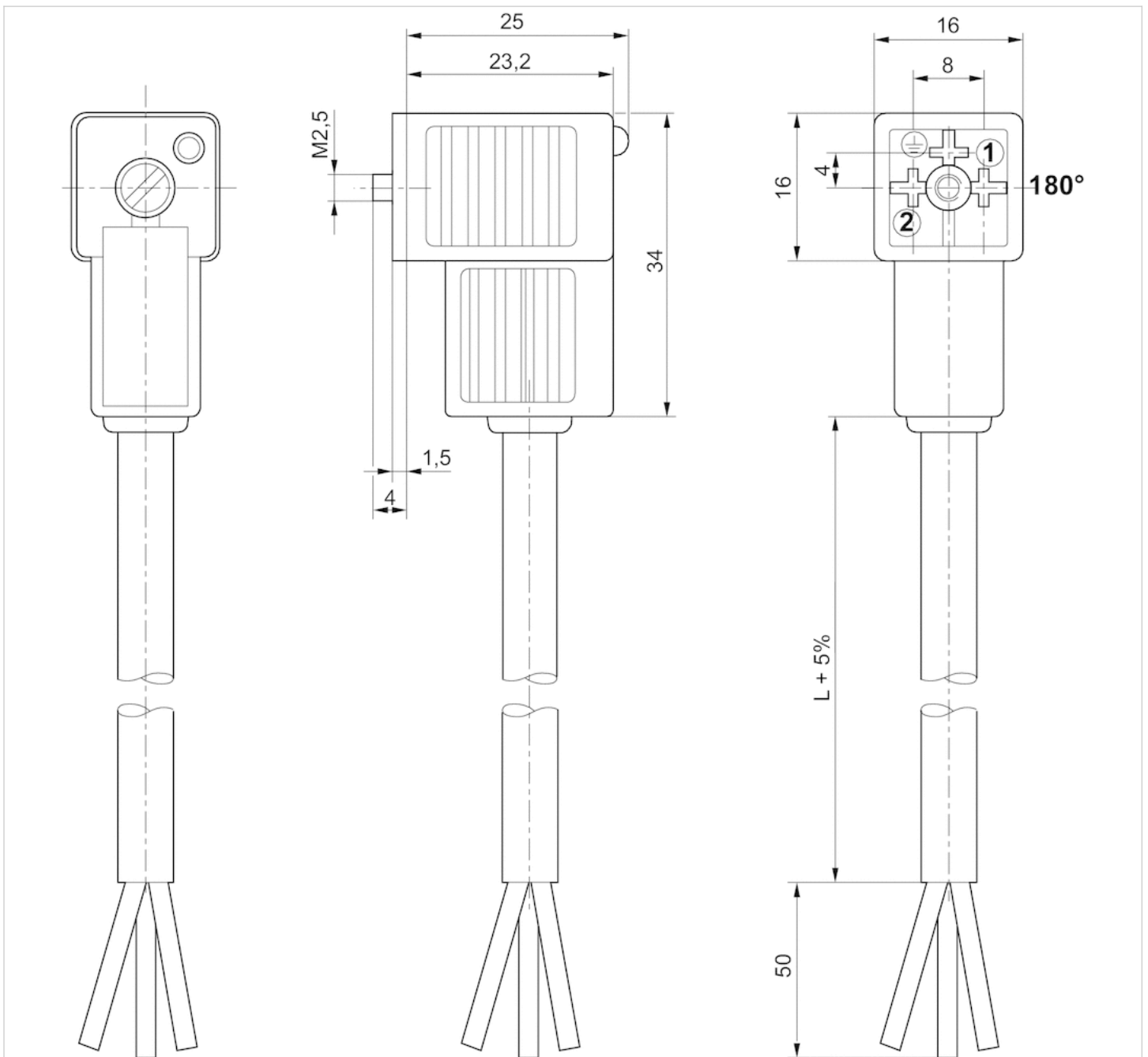


Fig. 2, Abmessungen in mm, 180° Buchseneinsatz



# Efficient pneumatic solutions, our program: cylinders and drives, valves and valve systems, air supply management



Visit us: [Emerson.com/Aventics](https://www.emerson.com/Aventics)

Your local contact: [Emerson.com/contactus](https://www.emerson.com/contactus)



Emerson.com



[Facebook.com/EmersonAutomationSolutions](https://www.facebook.com/EmersonAutomationSolutions)



[LinkedIn.com/company/Emerson-Automation-Solutions](https://www.linkedin.com/company/Emerson-Automation-Solutions)



[Twitter.com/EMR\\_Automation](https://twitter.com/EMR_Automation)

An example configuration is depicted on the title page. The delivered product may thus vary from that in the illustration. Subject to change. This Document, as well as the data, specifications and other information set forth in it, are the exclusive property of AVENTICS GmbH. It may not be reproduced or given to third parties without its consent. Only use the AVENTICS products shown in industrial applications. Read the product documentation completely and carefully before using the product. Observe the applicable regulations and laws of the respective country. When integrating the product into applications, note the system manufacturer's specifications for safe use of the product. The data specified only serve to describe the product. No statements concerning a certain condition or suitability for a certain application can be derived from our information. The information given does not release the user from the obligation of own judgement and verification. It must be remembered that the products are subject to a natural process of wear and aging.

The Emerson logo is a trademark and service mark of Emerson Electric Co. Brand logotype are registered trademarks of one of the Emerson family of companies. All other marks are the property of their respective owners. © 2020 Emerson Electric Co. All rights reserved.  
2020-12



**CONSIDER IT SOLVED™**