

QR1-S-RAY standard series

- Y-fitting
- External thread
- 10-32 UNF 3/8 NPT 1/8 NPT 1/4 NPT 1/2 NPT
- push-in fitting
- Ø5/32 Ø1/4 Ø1/2 Ø5/16 Ø 3/8
- QR1-S-RAY



Working pressure min./max.

-0,95 ... 10 bar

Ambient temperature min./max.

0 ... 60 °C

Weight per piece

See table below

Technical data

Part No.	Port G	Port D	Delivery unit	Weight per piece
R432000473	10-32 UNF	Ø5/32	10 piece	0,422 kg
R432000476	10-32 UNF	Ø1/4	10 piece	0,503 kg
R432000479	3/8 NPT	Ø1/4	10 piece	1,27 kg
R432000489	3/8 NPT	Ø1/2	10 piece	2,05 kg
R432000482	3/8 NPT	Ø5/16	10 piece	1,26 kg
R432000486	3/8 NPT	Ø 3/8	10 piece	1,74 kg
R432000474	1/8 NPT	Ø5/32	10 piece	0,496 kg
R432000477	1/8 NPT	Ø1/4	10 piece	0,577 kg
R432000480	1/8 NPT	Ø5/16	10 piece	0,732 kg
R432000484	1/8 NPT	Ø 3/8	10 piece	0,5 kg
R432000475	1/4 NPT	Ø5/32	10 piece	0,708 kg
R432000478	1/4 NPT	Ø1/4	10 piece	0,852 kg
R432000488	1/4 NPT	Ø1/2	10 piece	1,95 kg
R432000481	1/4 NPT	Ø5/16	10 piece	0,989 kg
R432000485	1/4 NPT	Ø 3/8	10 piece	0,366 kg
R432000483	1/2 NPT	Ø5/16	10 piece	1,77 kg
R432000487	1/2 NPT	Ø 3/8	10 piece	2,24 kg
R432000490	1/2 NPT	Ø1/2	10 piece	2,48 kg

Technical information

The series QR1 (plastic) and QR2 (metal) can not be combined

Thread seal with captive O-ring

These pneumatic components with NPT or inch thread dimensions are only available from our US sales organization.

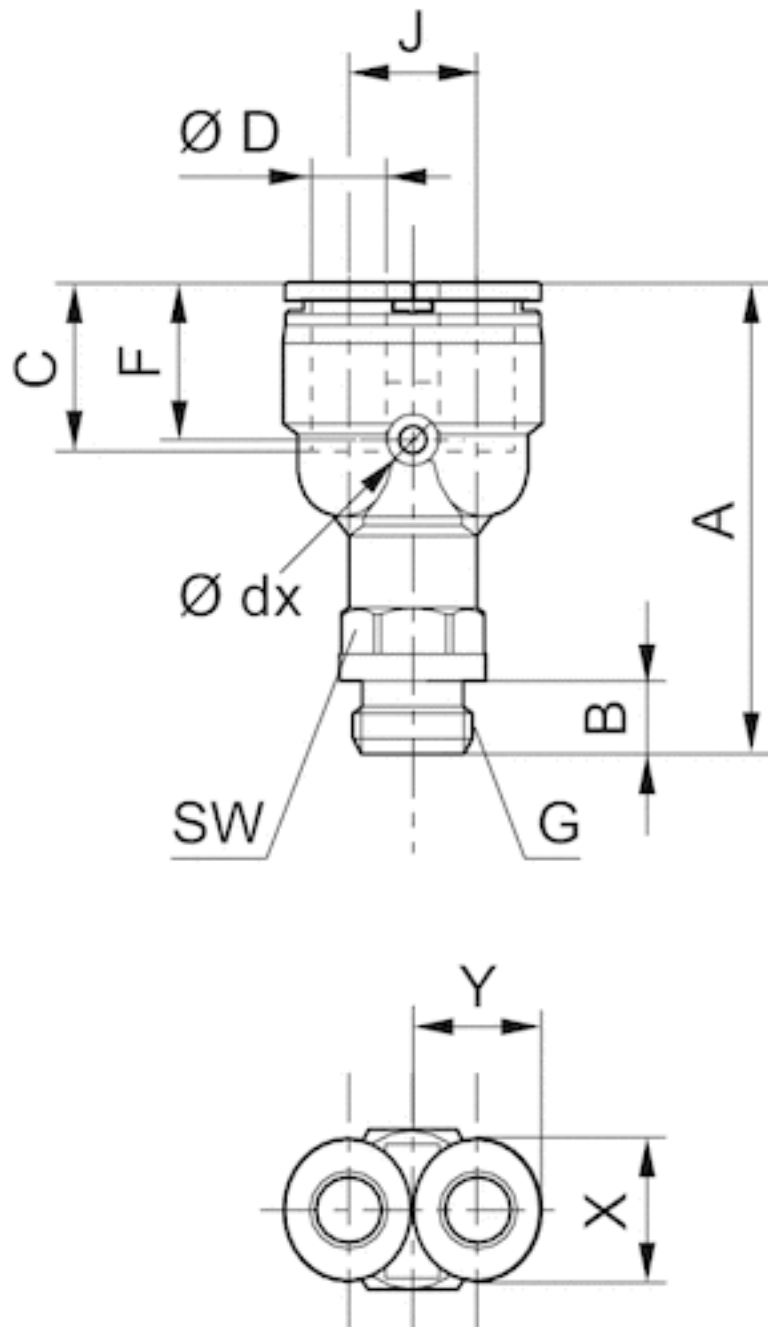
For further information about assembling and tolerances of adaptable tubing can be found in the “Technical information” document (available in the MediaCentre).

Technical information

Material	
Material	nickel-plated
Housing	Polybutyleneterephthalate
Seal	Acrylonitrile butadiene rubber
Tooth lock washer	Stainless steel
Release ring	Polyoxymethylene
Release ring holder	Die cast zinc Brass, nickel-plated
Thread	Brass, nickel-plated

Dimensions

Dimensions in inches



Dimensions in inches

Part No.	Port D	Port G	A	B	C	SW	J	X	Y
R432000473	Ø5/32	10-32 UNF	1.56	0.22	0.63	7/16	0.38	0.39	0.47
R432000476	Ø1/4	10-32 UNF	1.64	0.22	0.67	1/2	0.47	0.47	0.55
R432000479	Ø1/4	3/8 NPT	1.96	0.47	0.67	11/16	0.47	0.47	0.55
R432000489	Ø1/2	3/8 NPT	2.43	0.47	0.89	7/8	0.82	0.83	0.91
R432000482	Ø5/16	3/8 NPT	2.08	0.43	0.73	11/16	0.55	0.55	0.63
R432000486	Ø 3/8	3/8 NPT	2.33	0.47	0.83	11/16	0.71	0.67	0.75
R432000474	Ø5/32	1/8 NPT	1.66	0.32	0.63	7/16	0.38	0.39	0.47

Part No.	Port D	Port G	A	B	C	SW	J	X	Y
R432000477	Ø1/4	1/8 NPT	1.72	0.32	0.67	1/2	0.47	0.47	0.55
R432000480	Ø5/16	1/8 NPT	1.88	0.22	0.73	9/16	0.55	0.55	0.63
R432000484	Ø 3/8	1/8 NPT	2.17	0.32	0.83	11/16	0.71	0.67	0.75
R432000475	Ø5/32	1/4 NPT	1.77	0.43	0.63	9/16	0.38	0.39	0.47
R432000478	Ø1/4	1/4 NPT	1.88	0.43	0.67	9/16	0.47	0.47	0.55
R432000488	Ø1/2	1/4 NPT	2.39	0.43	0.89	7/8	0.82	0.83	0.91
R432000481	Ø5/16	1/4 NPT	2.04	0.32	0.73	9/16	0.55	0.55	0.63
R432000485	Ø 3/8	1/4 NPT	2.29	0.43	0.83	11/16	0.71	0.67	0.75
R432000483	Ø5/16	1/2 NPT	2.23	0.47	0.73	7/8	0.55	0.55	0.63
R432000487	Ø 3/8	1/2 NPT	2.45	0.59	0.83	7/8	0.71	0.67	0.75
R432000490	Ø1/2	1/2 NPT	2.55	0.59	0.89	7/8	0.82	0.83	0.91

Efficient pneumatic solutions, our program: cylinders and drives, valves and valve systems, air supply management



Visit us: [Emerson.com/Aventics](https://www.emerson.com/Aventics)

Your local contact: [Emerson.com/contactus](https://www.emerson.com/contactus)



[Emerson.com](https://www.emerson.com)



[Facebook.com/EmersonAutomationSolutions](https://www.facebook.com/EmersonAutomationSolutions)



[LinkedIn.com/company/Emerson-Automation-Solutions](https://www.linkedin.com/company/Emerson-Automation-Solutions)



[Twitter.com/EMR_Automation](https://twitter.com/EMR_Automation)

An example configuration is depicted on the title page. The delivered product may thus vary from that in the illustration. Subject to change. This Document, as well as the data, specifications and other information set forth in it, are the exclusive property of AVENTICS GmbH. It may not be reproduced or given to third parties without its consent. Only use the AVENTICS products shown in industrial applications. Read the product documentation completely and carefully before using the product. Observe the applicable regulations and laws of the respective country. When integrating the product into applications, note the system manufacturer's specifications for safe use of the product. The data specified only serve to describe the product. No statements concerning a certain condition or suitability for a certain application can be derived from our information. The information given does not release the user from the obligation of own judgement and verification. It must be remembered that the products are subject to a natural process of wear and aging.

The Emerson logo is a trademark and service mark of Emerson Electric Co. Brand logotype are registered trademarks of one of the Emerson family of companies. All other marks are the property of their respective owners. © 2020 Emerson Electric Co. All rights reserved.
2020-12



CONSIDER IT SOLVED™