

Accessories, Series TC15



Weight

See table below

Technical data

Part No.	Type	L = length
1825504357	end plate kit: internal pilot, pneumatic subbase, right	-
R422101300	End plate kit: internal pilot, right pneumatic subbase, connection thread NPTF	-
1825504358	end plate kit: external pilot, pneumatic subbase, right	-
R422101301	End plate kit: external pilot, right pneumatic subbase, connection thread NPTF	-
R422000802	end plate kit: internal pilot, pneumatic subbase, left	-
R422000803	end plate kit: external pilot, pneumatic subbase, left	-
R422000678	end plate kit: internal pilot, pneumatic subbase on both sides	-
R422000679	end plate kit: external pilot, pneumatic subbase on both sides	-
1821039042	supply/separation plate, channels 1,3,5 closed, for subbase, right	-
R422101302	Supply/separation plate, channels 1, 3, 5 closed, for right subbase, connection thread NPTF	-
R412009789	supply/separation plate, channels 1,3,5 closed, for subbase, left	-
R422000726	supply/separation plate, channel 1 closed, channels 3 and 5 open, for subbase, right	-
R422101303	Supply/separation plate, channel 1 closed, channels 3 and 5 open, for right subbase, connection thread NPTF	-
R422000502	Blanking plate	-
1823053258	Tie rod, 2x, 1 piece	67,6 mm
1823053259	Tie rod, 3x, 1 piece	88,5 mm
1823053260	Tie rod, 4x, 1 piece	109,4 mm
1823053261	Tie rod, 5x, 1 piece	130,3 mm
1823053262	Tie rod, 6x, 1 piece	151,2 mm
1823053263	Tie rod, 7x, 1 piece	172,1 mm
1823053264	Tie rod, 8x, 1 piece	193 mm
1823053265	Tie rod, 9x, 1 piece	213,9 mm
1823053266	Tie rod, 10x, 1 piece	234,8 mm
1823053267	Tie rod, 11x, 1 piece	255,7 mm
1823053268	Tie rod, 12x, 1 piece	276,6 mm
1823503999	Tie rod extension, 1 piece	-
R422000141	Sealing kit, 10 pieces	-

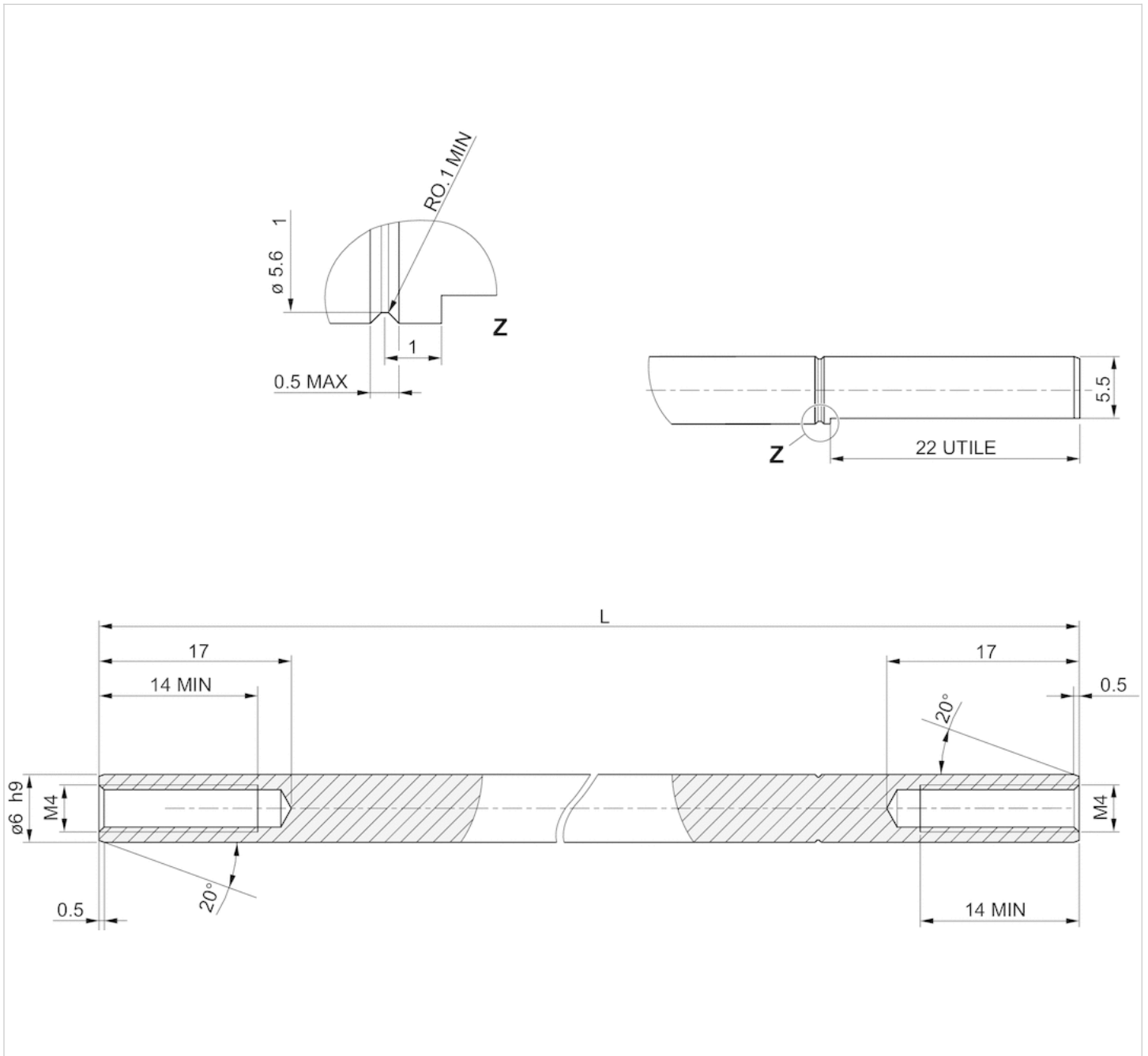
Part No.	Weight
1825504357	0,435 kg
R422101300	0,435 kg
1825504358	0,429 kg
R422101301	0,429 kg
R422000802	0,485 kg
R422000803	0,434 kg
R422000678	0,75 kg
R422000679	0,935 kg
1821039042	0,245 kg
R422101302	0,245 kg
R412009789	0,245 kg
R422000726	0,244 kg
R422101303	0,244 kg
R422000502	0,265 kg
1823053258	0,012 kg
1823053259	0,017 kg
1823053260	0,021 kg
1823053261	0,026 kg
1823053262	0,031 kg
1823053263	0,036 kg
1823053264	0,04 kg
1823053265	0,046 kg
1823053266	0,05 kg
1823053267	0,055 kg
1823053268	0,068 kg
1823503999	0,004 kg
R422000141	0,04 kg

Technical information

3 tie rods are required per valve system.

Dimensions

Dimensions, Tie-rods



Efficient pneumatic solutions, our program: cylinders and drives, valves and valve systems, air supply management



Visit us: [Emerson.com/Aventics](https://www.emerson.com/Aventics)

Your local contact: [Emerson.com/contactus](https://www.emerson.com/contactus)



Emerson.com



[Facebook.com/EmersonAutomationSolutions](https://www.facebook.com/EmersonAutomationSolutions)



[LinkedIn.com/company/Emerson-Automation-Solutions](https://www.linkedin.com/company/Emerson-Automation-Solutions)



[Twitter.com/EMR_Automation](https://twitter.com/EMR_Automation)

An example configuration is depicted on the title page. The delivered product may thus vary from that in the illustration. Subject to change. This Document, as well as the data, specifications and other information set forth in it, are the exclusive property of AVENTICS GmbH. It may not be reproduced or given to third parties without its consent. Only use the AVENTICS products shown in industrial applications. Read the product documentation completely and carefully before using the product. Observe the applicable regulations and laws of the respective country. When integrating the product into applications, note the system manufacturer's specifications for safe use of the product. The data specified only serve to describe the product. No statements concerning a certain condition or suitability for a certain application can be derived from our information. The information given does not release the user from the obligation of own judgement and verification. It must be remembered that the products are subject to a natural process of wear and aging.

The Emerson logo is a trademark and service mark of Emerson Electric Co. Brand logotype are registered trademarks of one of the Emerson family of companies. All other marks are the property of their respective owners. © 2020 Emerson Electric Co. All rights reserved.
2020-12



CONSIDER IT SOLVED™