

2x3/2-directional valve, Series AV05

- 2x3/2
- Qn = 600-650 l/min
- NC/NC NO/NO NC/NO
- Plate connection
- Manual override : with detent without detent without
- double solenoid
- Pilot : External



Type	Spool valve, positive overlapping
Activation	Electrically
Pilot	External
Sealing principle	Soft sealing
Blocking principle	Base plate principle, multiple
Working pressure min./max.	-0,9 ... 10 bar
Control pressure min./max.	3 ... 8 bar
Ambient temperature min./max.	-10 ... 60 °C
Medium temperature min./max.	-10 ... 60 °C
Medium	Compressed air
Max. particle size	40 µm
Oil content of compressed air	0 ... 5 mg/m ³
Nominal flow Qn	See table below
Nominal flow 1 ▶ 2	See table below
Nominal flow 2 ▶ 3	520 l/min
Pilot control exhaust	With collective pilot air exhaust
Protection class with connection	IP65
LED status display	Yellow
Duty cycle	100 %
Typ. switch-on time	16 ms
Typ. switch-off time	25 ms
mounting screws	Hexalobular socket (TORX) ISO 10664-8
Mounting screw tightening torque	0,5 Nm
Tightening torque tolerance	±0,1 mT
Weight	See table below

Technical data

Part No.	MO	Operational voltage	Voltage tolerance	
			DC	DC
R422103006		24 V	-10% / +10%	-10% / +10%
R422103007		24 V	-10% / +10%	-10% / +10%
R422103080		24 V	-10% / +10%	-10% / +10%
R422103008		24 V	-10% / +10%	-10% / +10%
R422103009		24 V	-10% / +10%	-10% / +10%
R422103081		24 V	-10% / +10%	-10% / +10%
R422103010		24 V	-10% / +10%	-10% / +10%
R422103011		24 V	-10% / +10%	-10% / +10%
R422103082		24 V	-10% / +10%	-10% / +10%

Part No.	Power consumption	Flow conductance	Flow conductance	Nominal flow Qn
	DC	b	C-value	
R422103006	0,55 W	0,38	2,46 l/(s*bar)	650 l/min
R422103007	0,55 W	0,38	2,46 l/(s*bar)	650 l/min
R422103080	0,55 W	0,38	2,46 l/(s*bar)	650 l/min
R422103008	0,55 W	0,45	2,07 l/(s*bar)	600 l/min
R422103009	0,55 W	0,45	2,07 l/(s*bar)	600 l/min
R422103081	0,55 W	0,45	2,07 l/(s*bar)	600 l/min
R422103010	0,55 W	0,45	2,07 l/(s*bar)	650 l/min
R422103011	0,55 W	0,45	2,07 l/(s*bar)	650 l/min
R422103082	0,55 W	0,45	2,07 l/(s*bar)	650 l/min

Part No.	Nominal flow 1 ► 2	Weight
R422103006	650 l/min	0,066 kg
R422103007	650 l/min	0,066 kg
R422103080	650 l/min	0,066 kg
R422103008	600 l/min	0,064 kg
R422103009	600 l/min	0,064 kg
R422103081	600 l/min	0,064 kg
R422103010	650 l/min	0,065 kg
R422103011	650 l/min	0,065 kg
R422103082	650 l/min	0,065 kg

Nominal flow Qn at 6 bar and $\Delta p = 1$ bar, MO = Manual override

Technical information

The min. control pressure must be adhered to, since otherwise faulty switching and valve failure may result!

The pressure dew point must be at least 15 °C under ambient and medium temperature and may not exceed 3 °C .

The oil content of compressed air must remain constant during the life cycle.

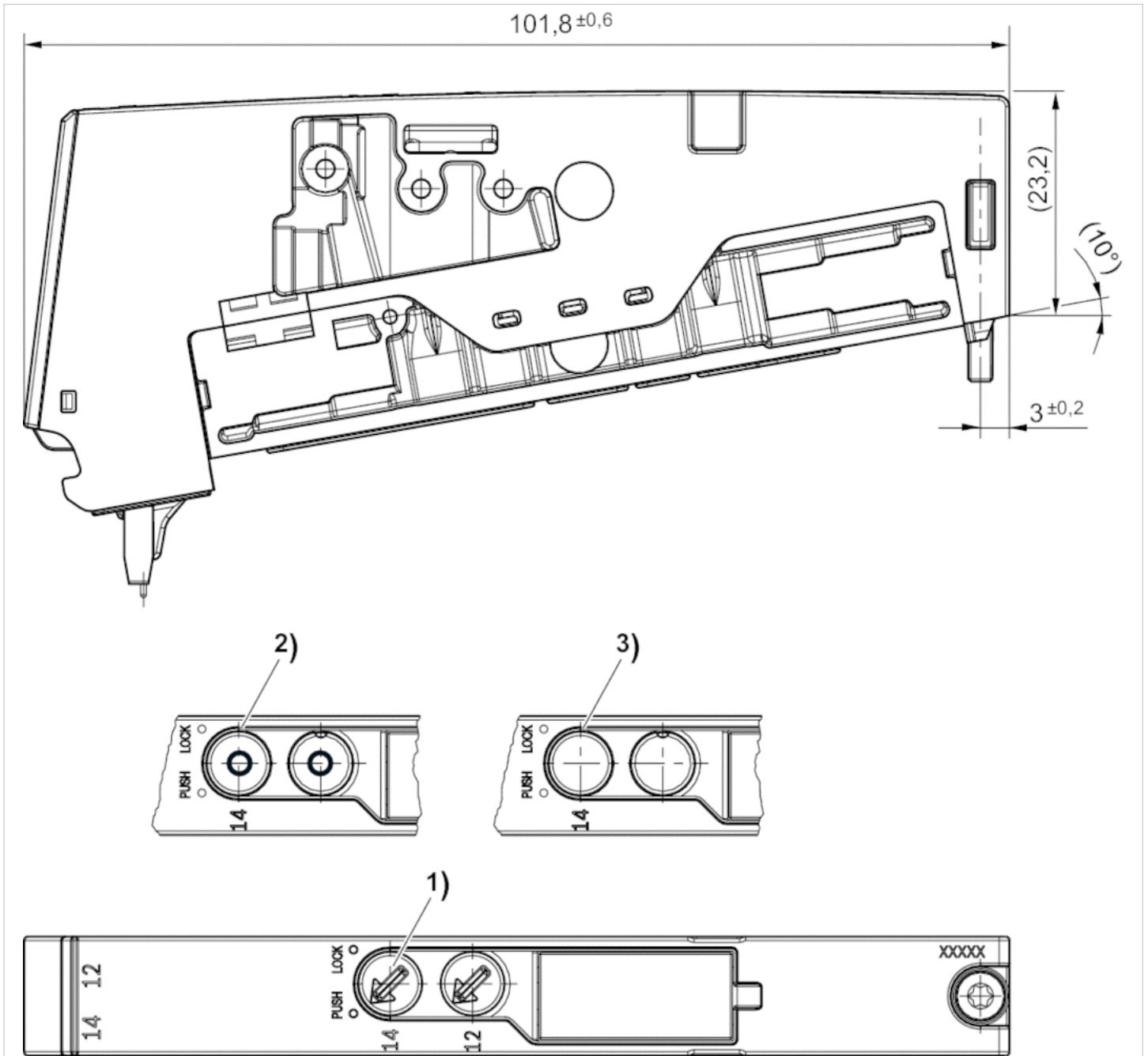
Use only the approved oils from AVENTICS. Further information can be found in the "Technical information" document (available in the MediaCentre).

Technical information

Material	
Housing	Polyamide fiber-glass reinforced
Seals	Acrylonitrile butadiene rubber Hydrogenated acrylonitrile butadiene rubber
End plate	Polyamide fiber-glass reinforced

Dimensions

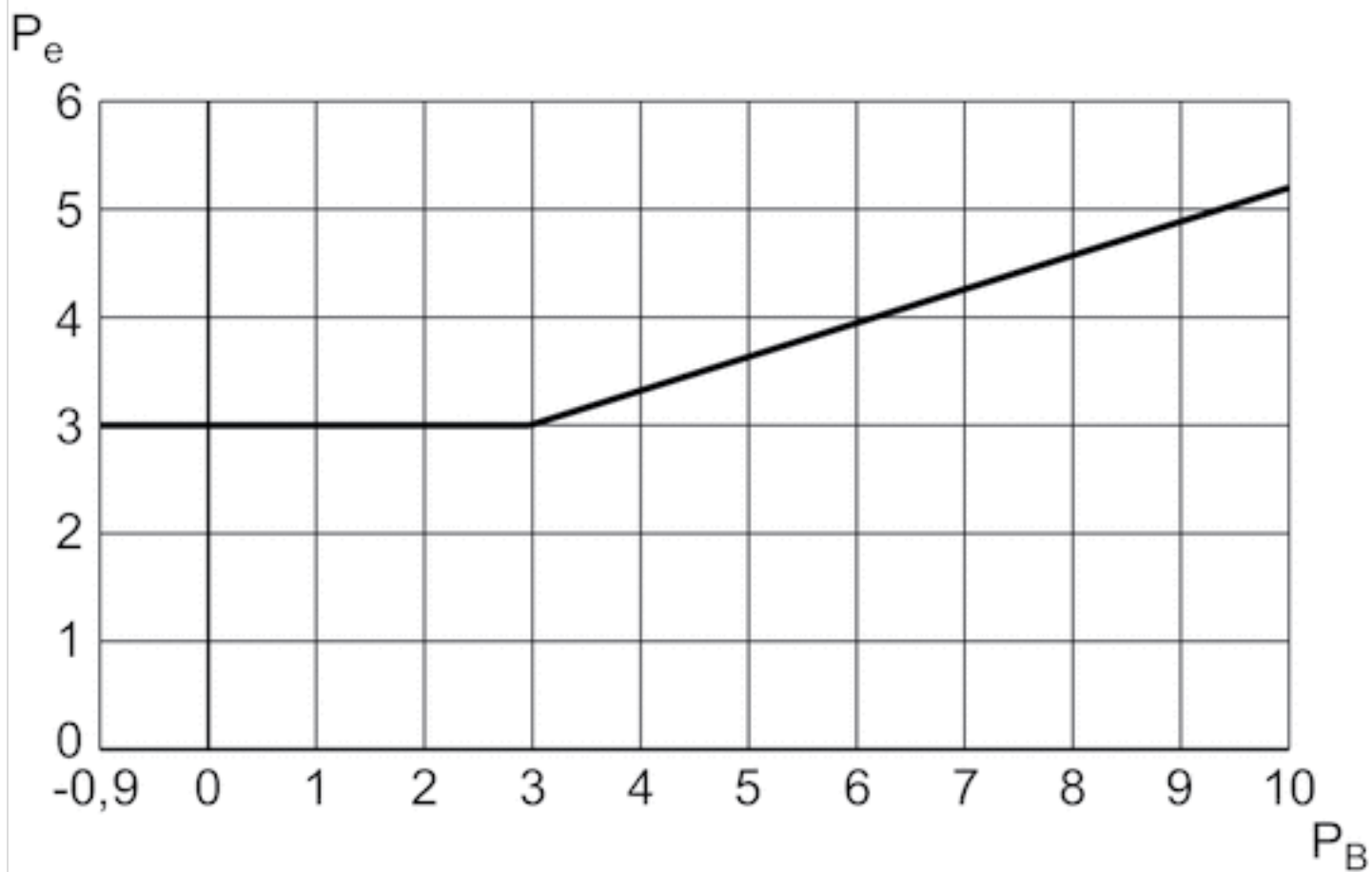
Dimensions



- 1) Manual override: with detent
- 2) manual override: without detent
- 3) Manual override: without detent

Diagrams

Control pressure: see diagram for min., max. 8 bar



P_B = Working pressure
 P_e = external control pressure, min.

Efficient pneumatic solutions, our program: cylinders and drives, valves and valve systems, air supply management



Visit us: [Emerson.com/Aventics](https://www.emerson.com/Aventics)

Your local contact: [Emerson.com/contactus](https://www.emerson.com/contactus)



[Emerson.com](https://www.emerson.com)



[Facebook.com/EmersonAutomationSolutions](https://www.facebook.com/EmersonAutomationSolutions)



[LinkedIn.com/company/Emerson-Automation-Solutions](https://www.linkedin.com/company/Emerson-Automation-Solutions)



[Twitter.com/EMR_Automation](https://twitter.com/EMR_Automation)

An example configuration is depicted on the title page. The delivered product may thus vary from that in the illustration. Subject to change. This Document, as well as the data, specifications and other information set forth in it, are the exclusive property of AVENTICS GmbH. It may not be reproduced or given to third parties without its consent. Only use the AVENTICS products shown in industrial applications. Read the product documentation completely and carefully before using the product. Observe the applicable regulations and laws of the respective country. When integrating the product into applications, note the system manufacturer's specifications for safe use of the product. The data specified only serve to describe the product. No statements concerning a certain condition or suitability for a certain application can be derived from our information. The information given does not release the user from the obligation of own judgement and verification. It must be remembered that the products are subject to a natural process of wear and aging.

The Emerson logo is a trademark and service mark of Emerson Electric Co. Brand logotype are registered trademarks of one of the Emerson family of companies. All other marks are the property of their respective owners. © 2020 Emerson Electric Co. All rights reserved.
2020-12



CONSIDER IT SOLVED™