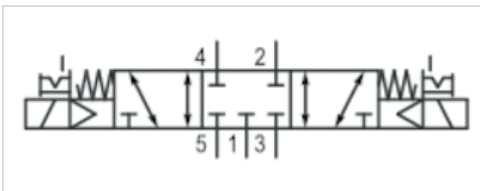


5/3-directional valve, Series TC08 - inch

- 5/3
- $Q_n = 700$ l/min
- Pilot valve width : 15 mm
- closed center
- Compressed air connection output : 1/8-27 NPTF
- Electrical connection : Plug, ISO 15217, form C
- double solenoid
- Pilot : Internal External



Activation	Electrically
Sealing principle	Soft sealing
Working pressure min./max.	3 ... 10 bar
Control pressure min./max.	3 ... 10 bar
Ambient temperature min./max.	-10 ... 50 °C
Medium temperature min./max.	-10 ... 50 °C
Medium	Compressed air
Max. particle size	50 µm
Oil content of compressed air	0 ... 5 mg/m ³
Nominal flow Q_n	700 l/min
Compressed air connection	according to ANSI B1.20.3
Connector standard	ISO 15217
Protection class with connection	IP65
Duty cycle	100 %
Typ. switch-on time	14 ms
Typ. switch-off time	18 ms
Generic emission standard in accordance with	EN 50081-2:1993
Generic immunity standard in accordance with	EN 50082-2
Mounting on manifold strip	P-strip
Mounting screw tightening torque	2 Nm
Tightening torque tolerance	±0,2 mT
Weight	0,14 kg

Technical data

Part No.		Compressed air connection	
		Input	Output
R422101224	closed center	1/8-27 NPTF	1/8-27 NPTF
R422101226	closed center	1/8-27 NPTF	1/8-27 NPTF
R422101227	closed center	1/8-27 NPTF	1/8-27 NPTF
R422101228	closed center	1/8-27 NPTF	1/8-27 NPTF
R422101230	closed center	1/8-27 NPTF	1/8-27 NPTF
R422101231	closed center	1/8-27 NPTF	1/8-27 NPTF
R422101232	closed center	1/8-27 NPTF	1/8-27 NPTF
R422101234	closed center	1/8-27 NPTF	1/8-27 NPTF
R422101235	closed center	1/8-27 NPTF	1/8-27 NPTF
R422101236	closed center	1/8-27 NPTF	1/8-27 NPTF
R422101238	closed center	1/8-27 NPTF	1/8-27 NPTF
R422101239	closed center	1/8-27 NPTF	1/8-27 NPTF
R422101240	closed center	1/8-27 NPTF	1/8-27 NPTF
R422101242	closed center	1/8-27 NPTF	1/8-27 NPTF
R422101243	closed center	1/8-27 NPTF	1/8-27 NPTF
R422101244	closed center	1/8-27 NPTF	1/8-27 NPTF
R422101246	closed center	1/8-27 NPTF	1/8-27 NPTF
R422101247	closed center	1/8-27 NPTF	1/8-27 NPTF

Part No.	Compressed air connection	
	Exhaust	Pilot Exhaust
R422101224	1/8-27 NPTF	M5
R422101226	1/8-27 NPTF	M5
R422101227	1/8-27 NPTF	M5
R422101228	1/8-27 NPTF	M5
R422101230	1/8-27 NPTF	M5
R422101231	1/8-27 NPTF	M5
R422101232	1/8-27 NPTF	M5
R422101234	1/8-27 NPTF	M5
R422101235	1/8-27 NPTF	M5
R422101236	1/8-27 NPTF	M5
R422101238	1/8-27 NPTF	M5
R422101239	1/8-27 NPTF	M5
R422101240	1/8-27 NPTF	M5
R422101242	1/8-27 NPTF	M5
R422101243	1/8-27 NPTF	M5
R422101244	1/8-27 NPTF	M5
R422101246	1/8-27 NPTF	M5
R422101247	1/8-27 NPTF	M5

Part No.	Operational voltage		Operational voltage
	DC	AC 50 Hz	AC 60 Hz
R422101224	12 V	-	-
R422101226	-	110 V	-
R422101227	-	230 V	230 V

Part No.	Operational voltage	Operational voltage	Operational voltage
	DC	AC 50 Hz	AC 60 Hz
R422101228	12 V	-	-
R422101230	-	110 V	-
R422101231	-	230 V	230 V
R422101232	12 V	-	-
R422101234	-	110 V	-
R422101235	-	230 V	230 V
R422101236	12 V	-	-
R422101238	-	110 V	-
R422101239	-	230 V	230 V
R422101240	12 V	-	-
R422101242	-	110 V	-
R422101243	-	230 V	230 V
R422101244	12 V	-	-
R422101246	-	110 V	-
R422101247	-	230 V	230 V

Part No.	Voltage tolerance	Voltage tolerance	Power consumption	Holding power
	DC	AC 50 Hz	DC	AC 50 Hz
R422101224	-10% / +10%	-	1,9 W	-
R422101226	-	-10% / +10%	-	1,6 VA
R422101227	-	-10% / +10%	-	1,6 VA
R422101228	-10% / +10%	-	1,9 W	-
R422101230	-	-10% / +10%	-	1,6 VA
R422101231	-	-10% / +10%	-	1,6 VA
R422101232	-10% / +10%	-	1,9 W	-
R422101234	-	-10% / +10%	-	1,6 VA
R422101235	-	-10% / +10%	-	1,6 VA
R422101236	-10% / +10%	-	1,9 W	-
R422101238	-	-10% / +10%	-	1,6 VA
R422101239	-	-10% / +10%	-	1,6 VA
R422101240	-10% / +10%	-	1,9 W	-
R422101242	-	-10% / +10%	-	1,6 VA
R422101243	-	-10% / +10%	-	1,6 VA
R422101244	-10% / +10%	-	1,9 W	-
R422101246	-	-10% / +10%	-	1,6 VA
R422101247	-	-10% / +10%	-	1,6 VA

Part No.	Holding power	Switch-on power	Switch-on power	Pilot	Flow conductance
	AC 60 Hz	AC 50 Hz	AC 60 Hz		b
R422101224	-	-	-	Internal	0,34
R422101226	1,4 VA	2,2 VA	2 VA	Internal	0,34
R422101227	1,4 VA	2,2 VA	2 VA	Internal	0,34
R422101228	-	-	-	External	0,34
R422101230	1,4 VA	2,2 VA	2 VA	External	0,34
R422101231	1,4 VA	2,2 VA	2 VA	External	0,34
R422101232	-	-	-	Internal	0,34
R422101234	1,4 VA	2,2 VA	2 VA	Internal	0,34
R422101235	1,4 VA	2,2 VA	2 VA	Internal	0,34

Part No.	Holding power	Switch-on power	Switch-on power	Pilot	Flow conductance
	AC 60 Hz	AC 50 Hz	AC 60 Hz		b
R422101236	-	-	-	External	0,34
R422101238	1,4 VA	2,2 VA	2 VA	External	0,34
R422101239	1,4 VA	2,2 VA	2 VA	External	0,34
R422101240	-	-	-	Internal	0,34
R422101242	1,4 VA	2,2 VA	2 VA	Internal	0,34
R422101243	1,4 VA	2,2 VA	2 VA	Internal	0,34
R422101244	-	-	-	External	0,34
R422101246	1,4 VA	2,2 VA	2 VA	External	0,34
R422101247	1,4 VA	2,2 VA	2 VA	External	0,34

Part No.	Flow conductance	Nominal resistance
	C-value	
R422101224	3 l/(s*bar)	185 Ω
R422101226	3 l/(s*bar)	185 Ω
R422101227	3 l/(s*bar)	185 Ω
R422101228	3 l/(s*bar)	185 Ω
R422101230	3 l/(s*bar)	185 Ω
R422101231	3 l/(s*bar)	185 Ω
R422101232	3 l/(s*bar)	185 Ω
R422101234	3 l/(s*bar)	185 Ω
R422101235	3 l/(s*bar)	185 Ω
R422101236	3 l/(s*bar)	185 Ω
R422101238	3 l/(s*bar)	185 Ω
R422101239	3 l/(s*bar)	185 Ω
R422101240	3 l/(s*bar)	185 Ω
R422101242	3 l/(s*bar)	185 Ω
R422101243	3 l/(s*bar)	185 Ω
R422101244	3 l/(s*bar)	185 Ω
R422101246	3 l/(s*bar)	185 Ω
R422101247	3 l/(s*bar)	185 Ω

Nominal flow Q_n at 6 bar and $\Delta p = 1$ bar .

Technical information

The min. control pressure must be adhered to, since otherwise faulty switching and valve failure may result!

The pressure dew point must be at least 15 °C under ambient and medium temperature and may not exceed 3 °C .

The oil content of compressed air must remain constant during the life cycle.

Use only the approved oils from AVENTICS. Further information can be found in the "Technical information" document (available in the MediaCentre).

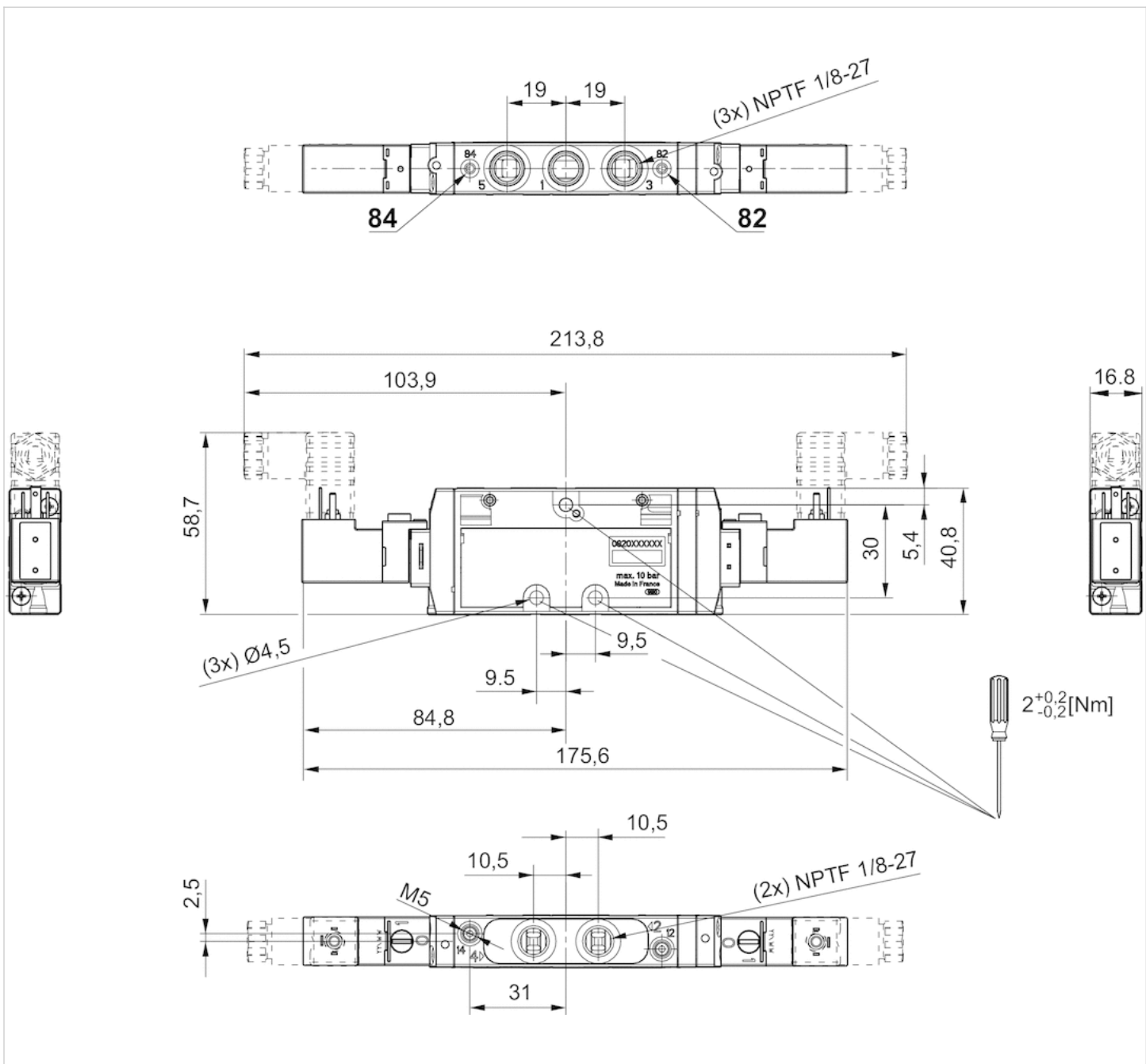
Technical information

Material	
Housing	Polyamide fiber-glass reinforced
Seals	Acrylonitrile butadiene rubber
Front plate	Polyamide fiber-glass reinforced

Material	
Threaded bushing	Brass Die cast zinc, nickel-plated chrome-plated

Dimensions

Dimensions in mm



Efficient pneumatic solutions, our program: cylinders and drives, valves and valve systems, air supply management



Visit us: [Emerson.com/Aventics](https://www.emerson.com/Aventics)

Your local contact: [Emerson.com/contactus](https://www.emerson.com/contactus)



[Emerson.com](https://www.emerson.com)



[Facebook.com/EmersonAutomationSolutions](https://www.facebook.com/EmersonAutomationSolutions)



[LinkedIn.com/company/Emerson-Automation-Solutions](https://www.linkedin.com/company/Emerson-Automation-Solutions)



[Twitter.com/EMR_Automation](https://twitter.com/EMR_Automation)

An example configuration is depicted on the title page. The delivered product may thus vary from that in the illustration. Subject to change. This Document, as well as the data, specifications and other information set forth in it, are the exclusive property of AVENTICS GmbH. It may not be reproduced or given to third parties without its consent. Only use the AVENTICS products shown in industrial applications. Read the product documentation completely and carefully before using the product. Observe the applicable regulations and laws of the respective country. When integrating the product into applications, note the system manufacturer's specifications for safe use of the product. The data specified only serve to describe the product. No statements concerning a certain condition or suitability for a certain application can be derived from our information. The information given does not release the user from the obligation of own judgement and verification. It must be remembered that the products are subject to a natural process of wear and aging.

The Emerson logo is a trademark and service mark of Emerson Electric Co. Brand logotype are registered trademarks of one of the Emerson family of companies. All other marks are the property of their respective owners. © 2020 Emerson Electric Co. All rights reserved.
2020-12



CONSIDER IT SOLVED™