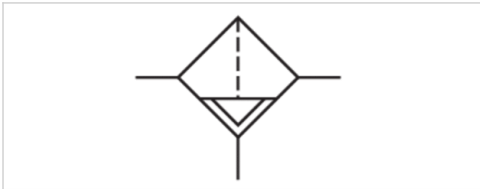


Filter, Series AS5-FLS

- G 3/4 G 1
- filter porosity 5 µm
- suitable for ATEX



Type	Standard filter, Can be assembled into blocks
Parts	Filter
Mounting orientation	vertical
Certificates	suitable for ATEX
Working pressure min./max.	1,5 ... 16 bar
Ambient temperature min./max.	-10 ... 50 °C
Medium temperature min./max.	-10 ... 50 °C
Medium	Compressed air Neutral gases
Filter reservoir volume	87 cm ³
Filter element	exchangeable
filter porosity	5 µm
Condensate drain	See table below
Weight	See table below

Technical data

Part No.	Port	Flow Qn	Condensate drain
R412009000	G 3/4	7800 l/min	semi-automatic, open without pressure
R412009001	G 3/4	7800 l/min	fully automatic, open without pressure
R412009002	G 3/4	7800 l/min	fully automatic, closed without pressure
R412009006	G 3/4	7800 l/min	semi-automatic, open without pressure
R412009007	G 3/4	7800 l/min	fully automatic, open without pressure
R412009008	G 3/4	7800 l/min	fully automatic, closed without pressure
R412009009	G 1	7800 l/min	semi-automatic, open without pressure
R412009010	G 1	7800 l/min	fully automatic, open without pressure
R412009011	G 1	7800 l/min	fully automatic, closed without pressure
R412009015	G 1	7800 l/min	semi-automatic, open without pressure
R412009016	G 1	7800 l/min	fully automatic, open without pressure
R412009017	G 1	7800 l/min	fully automatic, closed without pressure

Part No.	Version	Weight
R412009000	reservoir, polycarbonate, with PA protective guard	0,718 kg
R412009001	reservoir, polycarbonate, with PA protective guard	0,769 kg
R412009002	reservoir, polycarbonate, with PA protective guard	0,769 kg
R412009006	-	1,21 kg
R412009007	-	1,26 kg
R412009008	-	1,26 kg
R412009009	reservoir, polycarbonate, with PA protective guard	0,718 kg

Part No.	Version	Weight
R412009010	reservoir, polycarbonate, with PA protective guard	0,769 kg
R412009011	reservoir, polycarbonate, with PA protective guard	0,769 kg
R412009015	-	1,21 kg
R412009016	-	1,26 kg
R412009017	-	1,26 kg

Nominal flow Q_n with secondary pressure $p_2 = 6$ bar at $\Delta p = 1$ bar

Suitable for use in Ex zones 1, 2, 21, 22.

Technical information

The pressure dew point must be at least 15 °C under ambient and medium temperature and may not exceed 3 °C .

Note: Polycarbonate reservoirs are susceptible to solvents, supplementary information can be found at "Customer information".

Suitable for use in Ex zones 1, 2, 21, 22.

A change in the flow direction (from air supply on the left to air supply on the right) occurs by rotating installation by 180° about the vertical axis. Please see the operating instructions for further details.

Also suitable for separation of fluid oil or water due to the design.

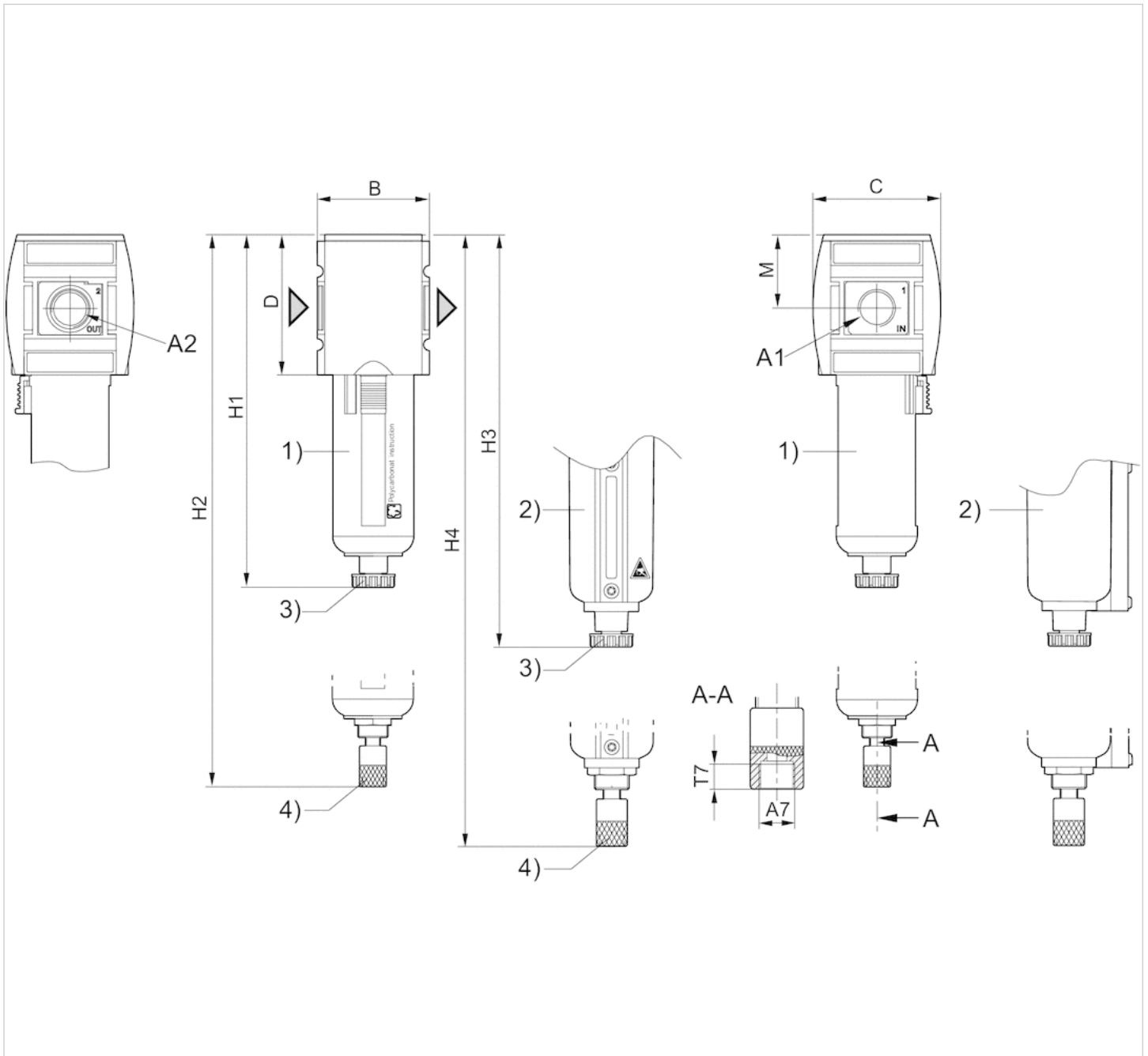
Max. achievable compressed air class acc. to ISO 8573-1:2010 6 : 7 : -

Technical information

Material	
Housing	Polyamide
Front plate	Acrylonitrile butadiene styrene
Seals	Acrylonitrile butadiene rubber
Threaded bushing	Die cast zinc
Reservoir	Polycarbonate Die cast zinc
Protective guard	Polyamide
Filter insert	Polyethylene

Dimensions

Dimensions



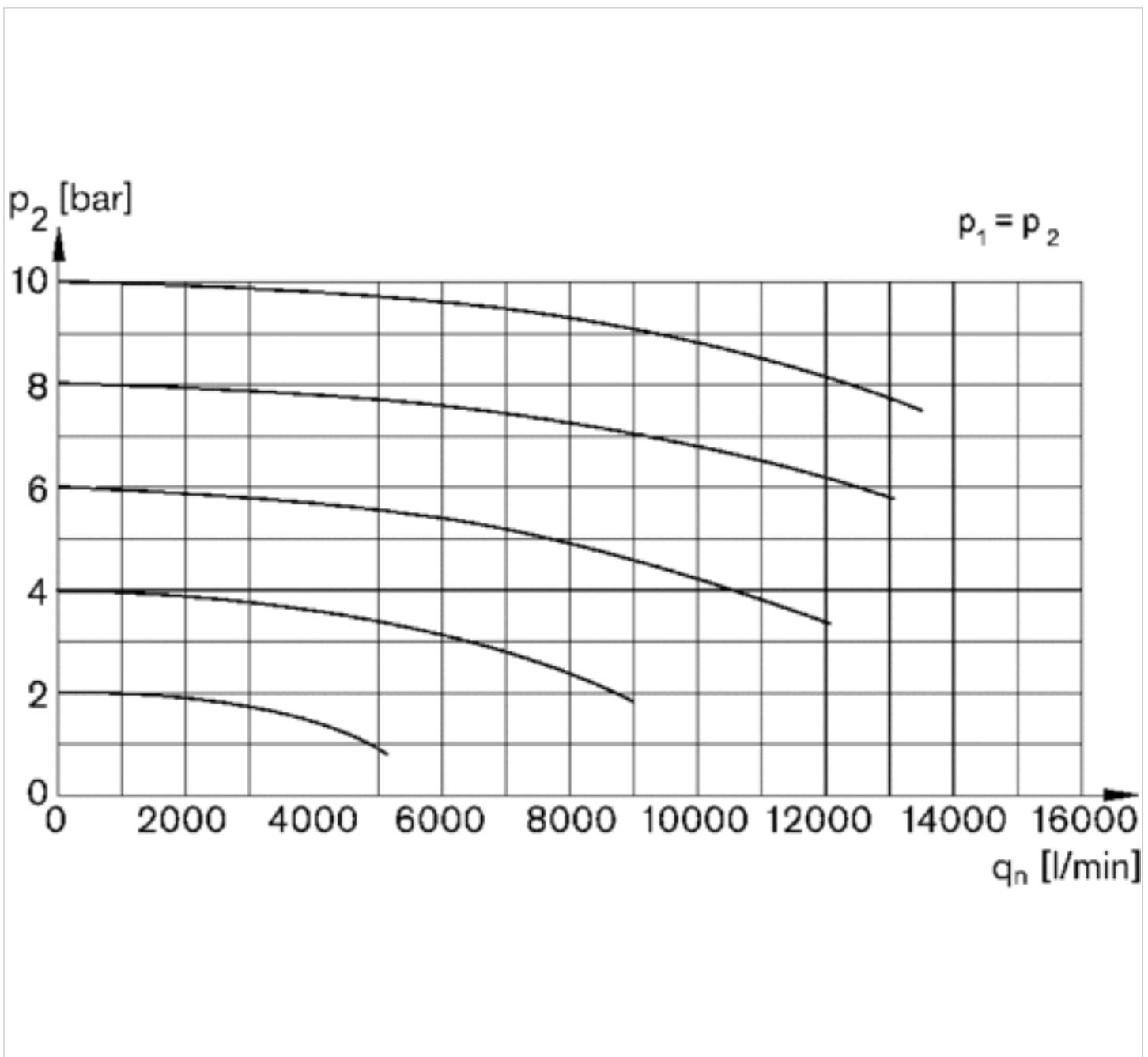
- A1 = input
- A2 = output
- A7 = condensate drain
- 1) Plastic reservoir and protective guard with window
- 2) Metal reservoir with level indicator
- 3) Semi-automatic condensate drain
- 4) Fully automatic condensate drain

Dimensions in mm

A1	A2	A7	B	C	D	H1	H2	H3	H4	M	T7
G 3/4	G 3/4	G 1/8	85	103	109	250	266	254	270.5	58	8.5
G 1	G 1	G 1/8	85	103	109	250	266	254	270.5	58	8.5

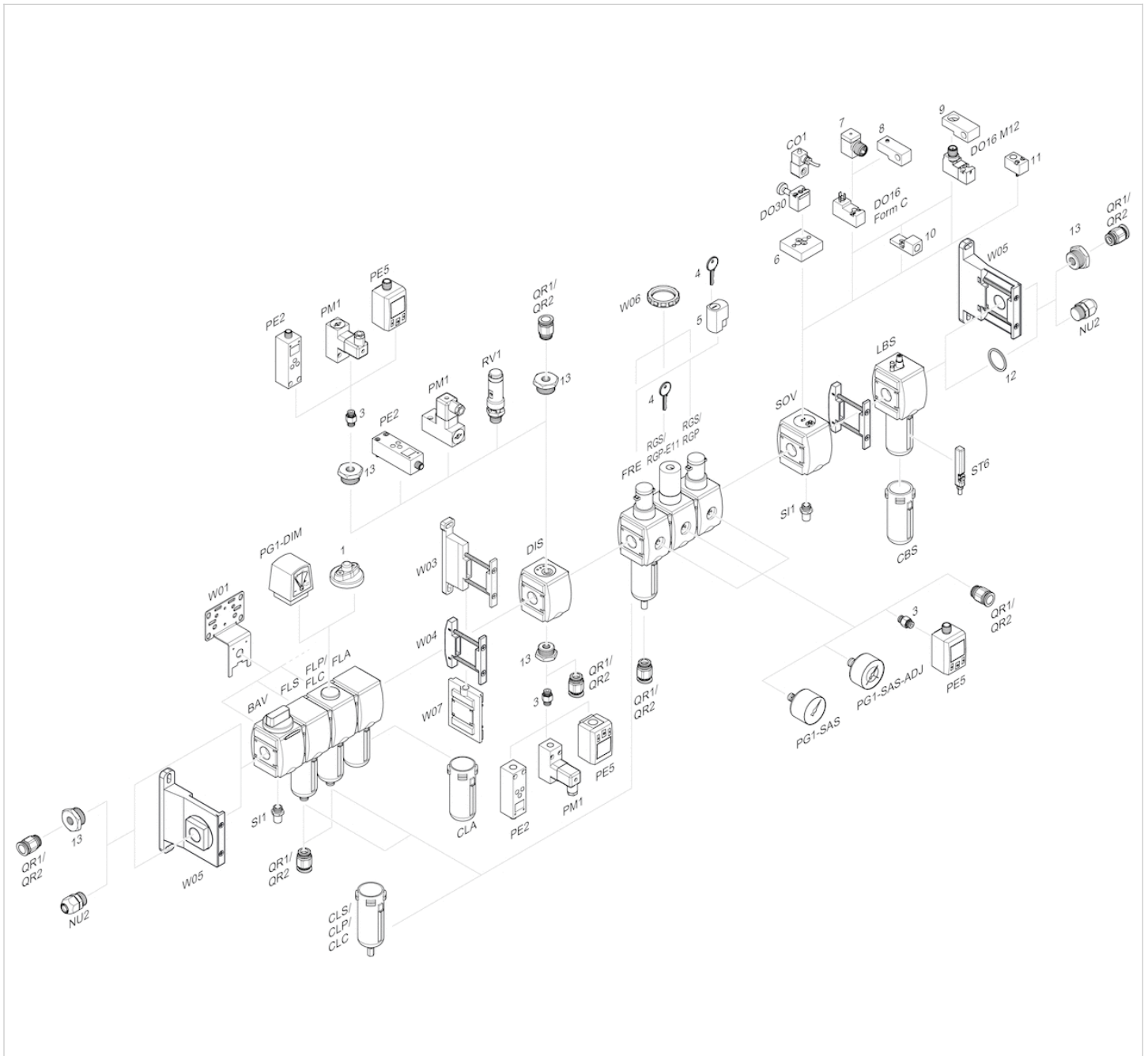
Diagrams

Flow rate characteristic



p_1 = Working pressure
 p_2 = Secondary pressure
 q_n = Nominal flow

Accessories overview



- 1 = contamination display
- 3 = Double nipple
- 4 = Key for E11 locking
- 5 = mortise lock
- 6 = Transition plate DO30
- 7 = Adapter, Series CON-VP
- 8 = Mounting aid DO16, form C
- 9 = Mounting aid DO16, M12
- 10 = Adapter for external pilot air
- 11 = Adapter pneumatic operation
- 12 = Sealing ring
- 13 = Reducing nipple

Efficient pneumatic solutions, our program: cylinders and drives, valves and valve systems, air supply management



Visit us: [Emerson.com/Aventics](https://www.emerson.com/Aventics)

Your local contact: [Emerson.com/contactus](https://www.emerson.com/contactus)



[Emerson.com](https://www.emerson.com)



[Facebook.com/EmersonAutomationSolutions](https://www.facebook.com/EmersonAutomationSolutions)



[LinkedIn.com/company/Emerson-Automation-Solutions](https://www.linkedin.com/company/Emerson-Automation-Solutions)



[Twitter.com/EMR_Automation](https://twitter.com/EMR_Automation)

An example configuration is depicted on the title page. The delivered product may thus vary from that in the illustration. Subject to change. This Document, as well as the data, specifications and other information set forth in it, are the exclusive property of AVENTICS GmbH. It may not be reproduced or given to third parties without its consent. Only use the AVENTICS products shown in industrial applications. Read the product documentation completely and carefully before using the product. Observe the applicable regulations and laws of the respective country. When integrating the product into applications, note the system manufacturer's specifications for safe use of the product. The data specified only serve to describe the product. No statements concerning a certain condition or suitability for a certain application can be derived from our information. The information given does not release the user from the obligation of own judgement and verification. It must be remembered that the products are subject to a natural process of wear and aging.

The Emerson logo is a trademark and service mark of Emerson Electric Co. Brand logotype are registered trademarks of one of the Emerson family of companies. All other marks are the property of their respective owners. © 2020 Emerson Electric Co. All rights reserved.
2020-12



CONSIDER IT SOLVED™