

5/2-directional valve, Series 581, size 4

- ISO 5599-1
- ISO 4
- 5/2
- double solenoid
- Qn = 6000 l/min
- Compressed air connection output Base plate ISO 5599-1
- Electrical connection Plug, M12, 4-pin
- Manual override with detent without detent



Type	Spool valve
Sealing principle	Soft sealing
Blocking principle	Single base plate principle
Connection type	Plate connection
Standards	ISO 5599-1, ISO 4
Working pressure min./max.	-0.95 ... 10 bar
Control pressure min./max.	3 ... 10 bar
Ambient temperature min./max.	0 ... 50 °C
Medium temperature min./max.	0 ... 50 °C
Medium	Compressed air
Max. particle size	5 µm
Oil content of compressed air	0 ... 5 mg/m ³
Nominal flow Qn	6000 l/min
Flow conductance C	24.5 l/(s*bar)
Protection class with connection	IP65
Duty cycle	100 %
Typ. switch-on time	17 ms
Typ. switch-off time	17 ms
Mounting screw	with hexagon socket
Mounting screw tightening torque	10 Nm
Weight	1.4 kg

Technical data

Part No.		MO	Operational voltage DC	Voltage tolerance DC
5814222720			24 V	-10% / +10%
5814222710			24 V	-10% / +10%
5814220720			24 V	-10% / +10%
5814220710			24 V	-10% / +10%
5814223720			24 V	-10% / +10%
5814223710			24 V	-10% / +10%
5814221720			24 V	-10% / +10%
5814221710			24 V	-10% / +10%

Part No.	Power consumption DC	Pilot	Electrical connection Pilot valve	Throttle
5814222720	0.35 W	External	Plug M12 4-pin	-

Part No.	Power consumption DC	Pilot	Electrical connection Pilot valve	Throttle
5814222710	0.35 W	External	Plug M12 4-pin	-
5814220720	0.35 W	Internal	Plug M12 4-pin	-
5814220710	0.35 W	Internal	Plug M12 4-pin	-
5814223720	0.35 W	External	Plug M12 4-pin	with throttle
5814223710	0.35 W	External	Plug M12 4-pin	with throttle
5814221720	0.35 W	Internal	Plug M12 4-pin	with throttle
5814221710	0.35 W	Internal	Plug M12 4-pin	with throttle

Nominal flow Qn at 6 bar and $\Delta p = 1$ bar, MO = Manual override

Technical information

The min. control pressure must be adhered to, since otherwise faulty switching and valve failure may result!

The pressure dew point must be at least 15 °C under ambient and medium temperature and may not exceed 3 °C .

The oil content of compressed air must remain constant during the life cycle.

Use only the approved oils from AVENTICS. Further information can be found in the "Technical information" document (available in the MediaCentre).

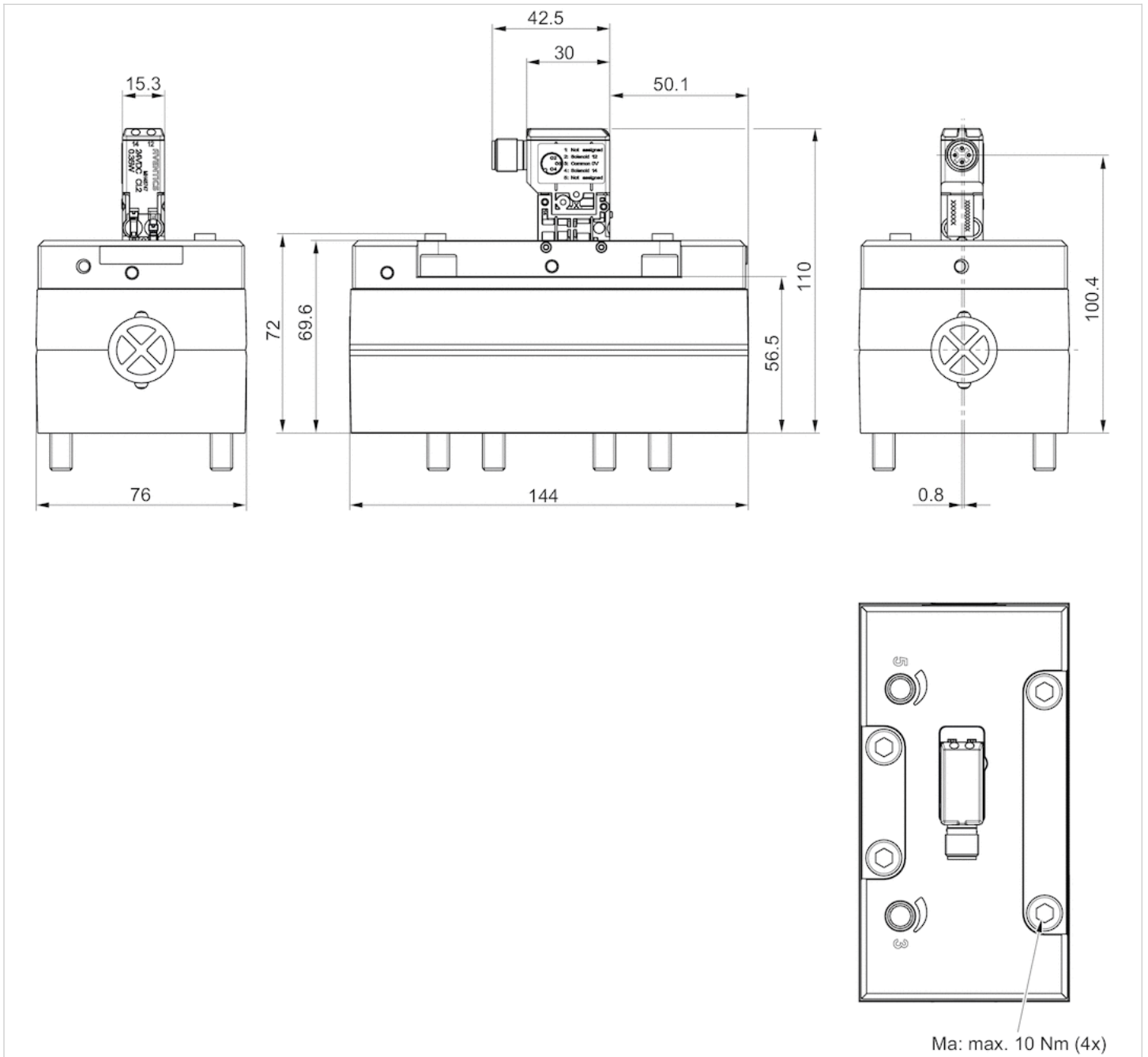
Switch-on power: 1 W for 40 ms

Technical information

Housing	Aluminum
Seals	Acrylonitrile butadiene rubber

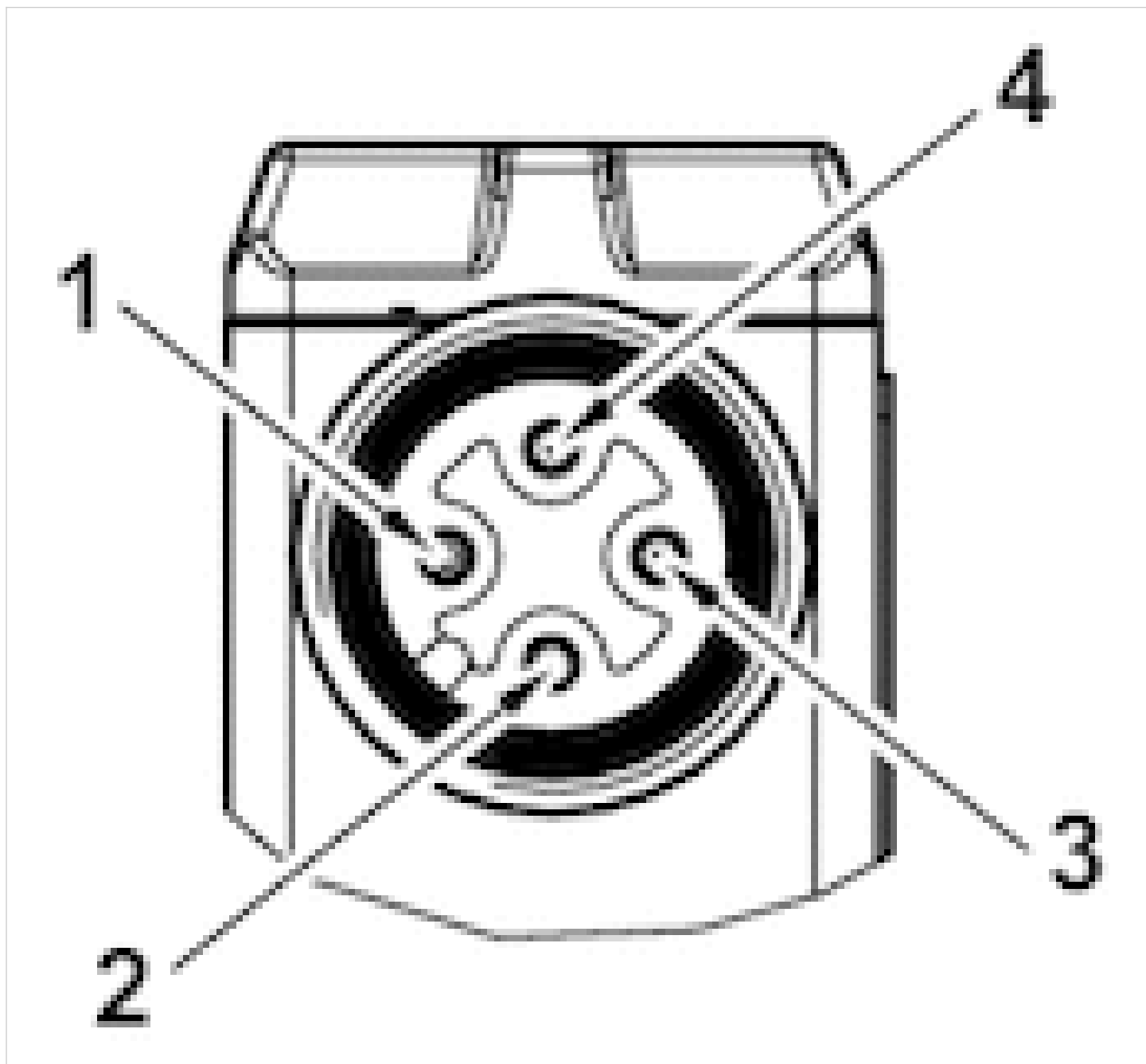
Dimensions

Dimensions



Pin assignments

Pin assignments



- 1) not assigned
- 2) Coil 12
- 3) 0 V DC
- 4) Coil 14

Efficient pneumatic solutions, our program: cylinders and drives, valves and valve systems, air supply management



Visit us: [Emerson.com/Aventics](https://www.emerson.com/Aventics)

Your local contact: [Emerson.com/contactus](https://www.emerson.com/contactus)



[Emerson.com](https://www.emerson.com)



[Facebook.com/EmersonAutomationSolutions](https://www.facebook.com/EmersonAutomationSolutions)



[LinkedIn.com/company/Emerson-Automation-Solutions](https://www.linkedin.com/company/Emerson-Automation-Solutions)



[Twitter.com/EMR_Automation](https://twitter.com/EMR_Automation)

An example configuration is depicted on the title page. The delivered product may thus vary from that in the illustration. Subject to change. This Document, as well as the data, specifications and other information set forth in it, are the exclusive property of AVENTICS GmbH. It may not be reproduced or given to third parties without its consent. Only use the AVENTICS products shown in industrial applications. Read the product documentation completely and carefully before using the product. Observe the applicable regulations and laws of the respective country. When integrating the product into applications, note the system manufacturer's specifications for safe use of the product. The data specified only serve to describe the product. No statements concerning a certain condition or suitability for a certain application can be derived from our information. The information given does not release the user from the obligation of own judgement and verification. It must be remembered that the products are subject to a natural process of wear and aging.

The Emerson logo is a trademark and service mark of Emerson Electric Co. Brand logotype are registered trademarks of one of the Emerson family of companies. All other marks are the property of their respective owners. © 2021 Emerson Electric Co. All rights reserved.
2021-04



CONSIDER IT SOLVED™