

# Valve plug connector, series CON-VP

- Socket, Form B, industry, 2+E, angled, 90°
- Industry standard
- unshielded
- with LED Yellow Red



Connection type	Screws
Ambient temperature min./max.	-25 ... 50 °C
Operational voltage	See table below
Protection class	IP65
Mounting screw tightening torque	0,4 Nm
Weight	0,02 kg

## Technical data

Part No.		Operational voltage	Max. current	Protective circuit	Contact assignment
1834484051		-	10 A	-	2+E
1834484107		24 V AC/DC	-	Z-diode	2+E
1834484108		110 V AC	-	Varistor	2+E
1834484109		230 V AC	-	Varistor	2+E

Part No.	LED status display	suitable cable-Ø min./max	Seal	Fig.	
1834484051	-	4 / 8 mm	caoutchouc/butadiene caoutchouc	Fig. 1	1)
1834484107	Yellow	6 / 8 mm	Silicone caoutchouc	Fig. 2	2)
1834484108	Red	6 / 8 mm	Silicone caoutchouc	Fig. 2	1)
1834484109	Red	4 / 8 mm	Silicone caoutchouc	Fig. 2	2)

- 1) Profile seal
- 2) Flat gasket,

## Technical information

For security reasons, the valve plug connector must be plugged properly and centrally.  
The specified protection class is only valid in assembled and tested state.

## Technical information

Material	
Seals	caoutchouc/butadiene caoutchouc Silicone caoutchouc

## Dimensions

Fig. 1

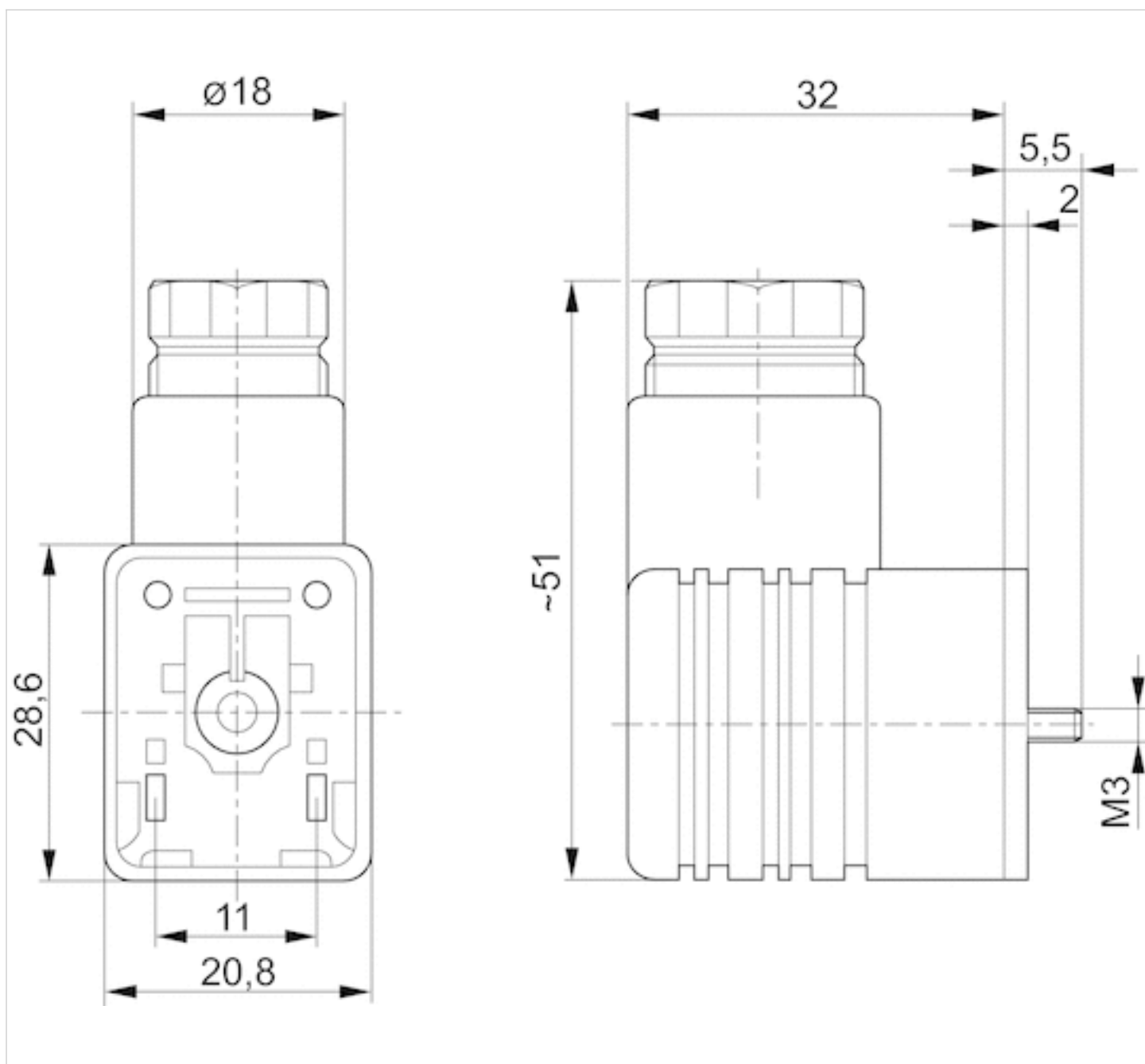
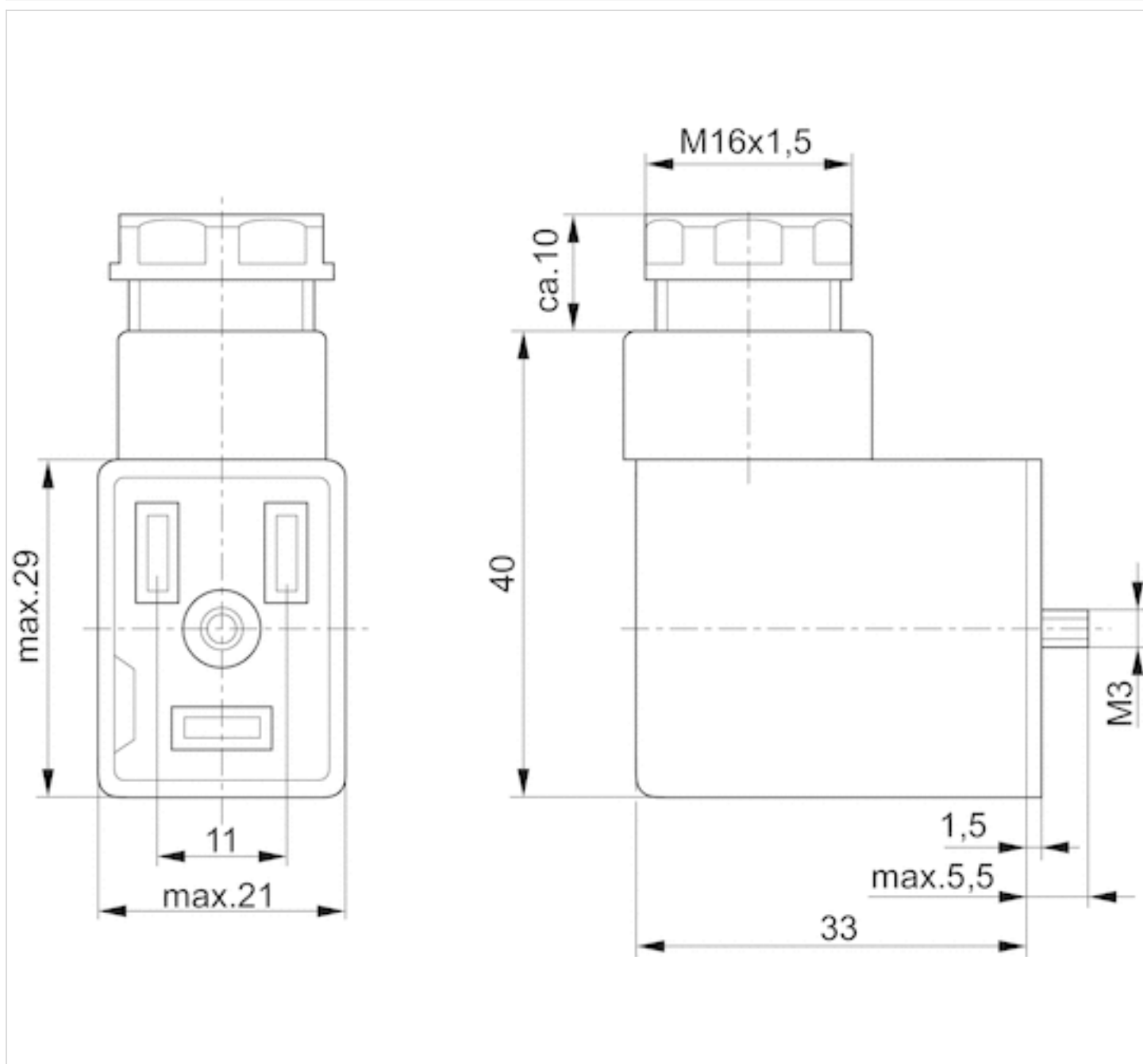


Fig. 2



# Efficient pneumatic solutions, our program: cylinders and drives, valves and valve systems, air supply management



Visit us: [Emerson.com/Aventics](https://www.emerson.com/Aventics)

Your local contact: [Emerson.com/contactus](https://www.emerson.com/contactus)



[Emerson.com](https://www.emerson.com)



[Facebook.com/EmersonAutomationSolutions](https://www.facebook.com/EmersonAutomationSolutions)



[LinkedIn.com/company/Emerson-Automation-Solutions](https://www.linkedin.com/company/Emerson-Automation-Solutions)



[Twitter.com/EMR\\_Automation](https://twitter.com/EMR_Automation)

An example configuration is depicted on the title page. The delivered product may thus vary from that in the illustration. Subject to change. This Document, as well as the data, specifications and other information set forth in it, are the exclusive property of AVENTICS GmbH. It may not be reproduced or given to third parties without its consent. Only use the AVENTICS products shown in industrial applications. Read the product documentation completely and carefully before using the product. Observe the applicable regulations and laws of the respective country. When integrating the product into applications, note the system manufacturer's specifications for safe use of the product. The data specified only serve to describe the product. No statements concerning a certain condition or suitability for a certain application can be derived from our information. The information given does not release the user from the obligation of own judgement and verification. It must be remembered that the products are subject to a natural process of wear and aging.

The Emerson logo is a trademark and service mark of Emerson Electric Co. Brand logotype are registered trademarks of one of the Emerson family of companies. All other marks are the property of their respective owners. © 2020 Emerson Electric Co. All rights reserved.  
2020-12



## CONSIDER IT SOLVED™