

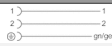
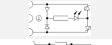


# Ventilsteckverbinder, Serie CON-VP

- Buchse, Form B Industrie, 2+E, gewinkelt, 90°
- Industriestandard
- ungeschirmt
- mit LED Gelb Rot



Anschlussart	Schrauben
Umgebungstemperatur min./max.	-25 ... 50 °C
Betriebsspannung	Siehe Tabelle unten
Schutzart	IP65
Anzugsmoment der Befestigungsschraube	0,4 Nm
Gewicht	0,02 kg

## Technische Daten

Materialnummer		Betriebsspannung	Strom, max.	Schutzbeschaltung
1834484051		-	10 A	-
1834484107		24 V AC/DC	-	Z-Diode
1834484108		110 V AC	-	Varistor
1834484109		230 V AC	-	Varistor

Materialnummer	Kontaktbelegung	Statusanzeige LED	anschließbarer Kabel-Ø min./max.
1834484051	2+E	-	4 / 8 mm
1834484107	2+E	Gelb	6 / 8 mm
1834484108	2+E	Rot	6 / 8 mm
1834484109	2+E	Rot	4 / 8 mm

Materialnummer	Dichtung	Abb.	
1834484051	Naturkautschuk / Butadien-Kautschuk	Fig. 1	1)
1834484107	Silikonkautschuk	Fig. 2	2)
1834484108	Silikonkautschuk	Fig. 2	1)
1834484109	Silikonkautschuk	Fig. 2	2)

1) Profildichtung

2) Flachdichtung,

## Technische Informationen

Aus Sicherheitsgründen ist ein ordnungsgemäßes, zentrisches Aufstecken des Ventilsteckverbinders notwendig. Die angegebene Schutzart gilt ausschließlich in montiertem und geprüftem Zustand.

## Technische Informationen

Werkstoff

Dichtungen

Naturkautschuk / Butadien-Kautschuk Silikonkautschuk

## Abmessungen

Fig. 1

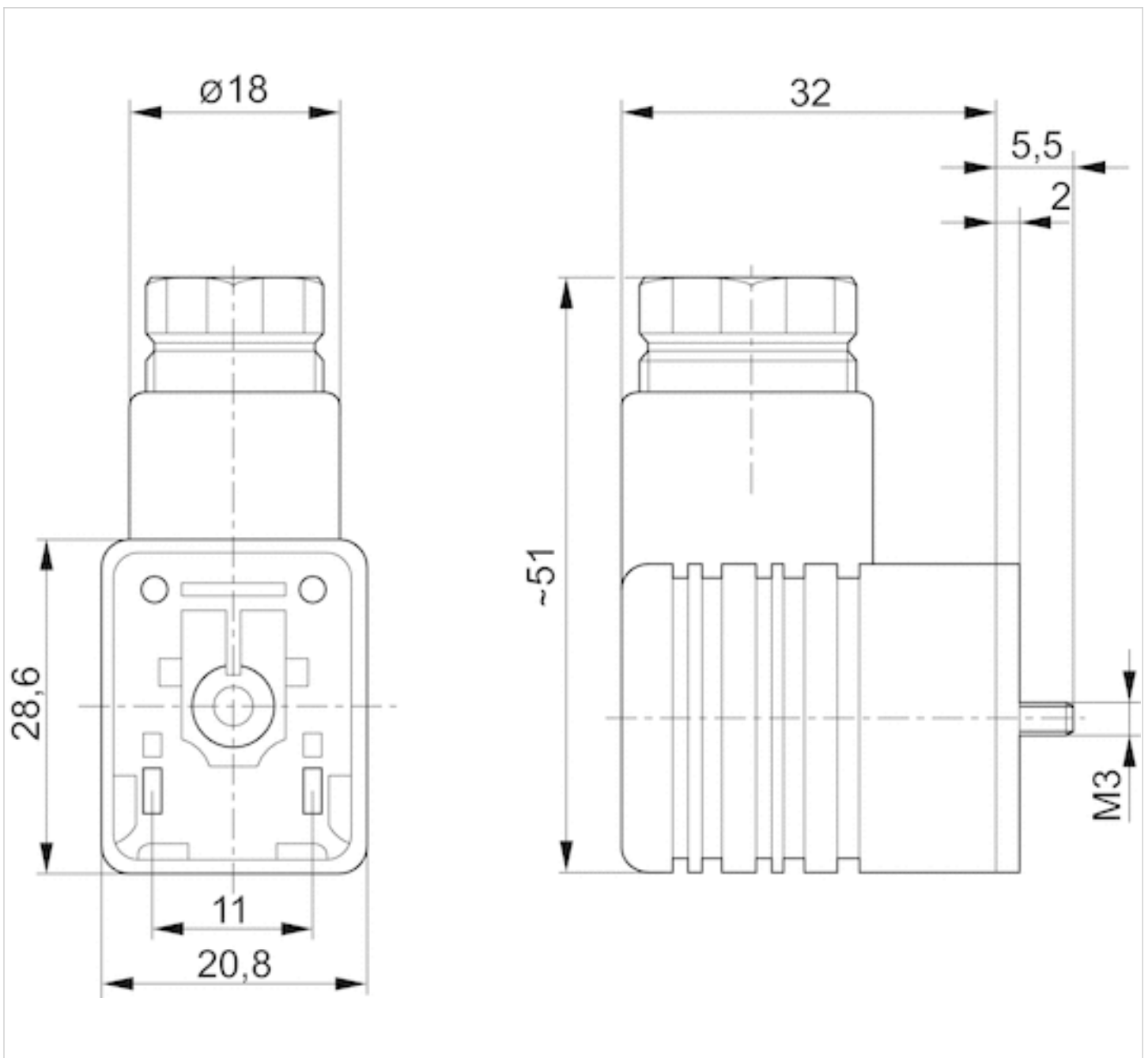
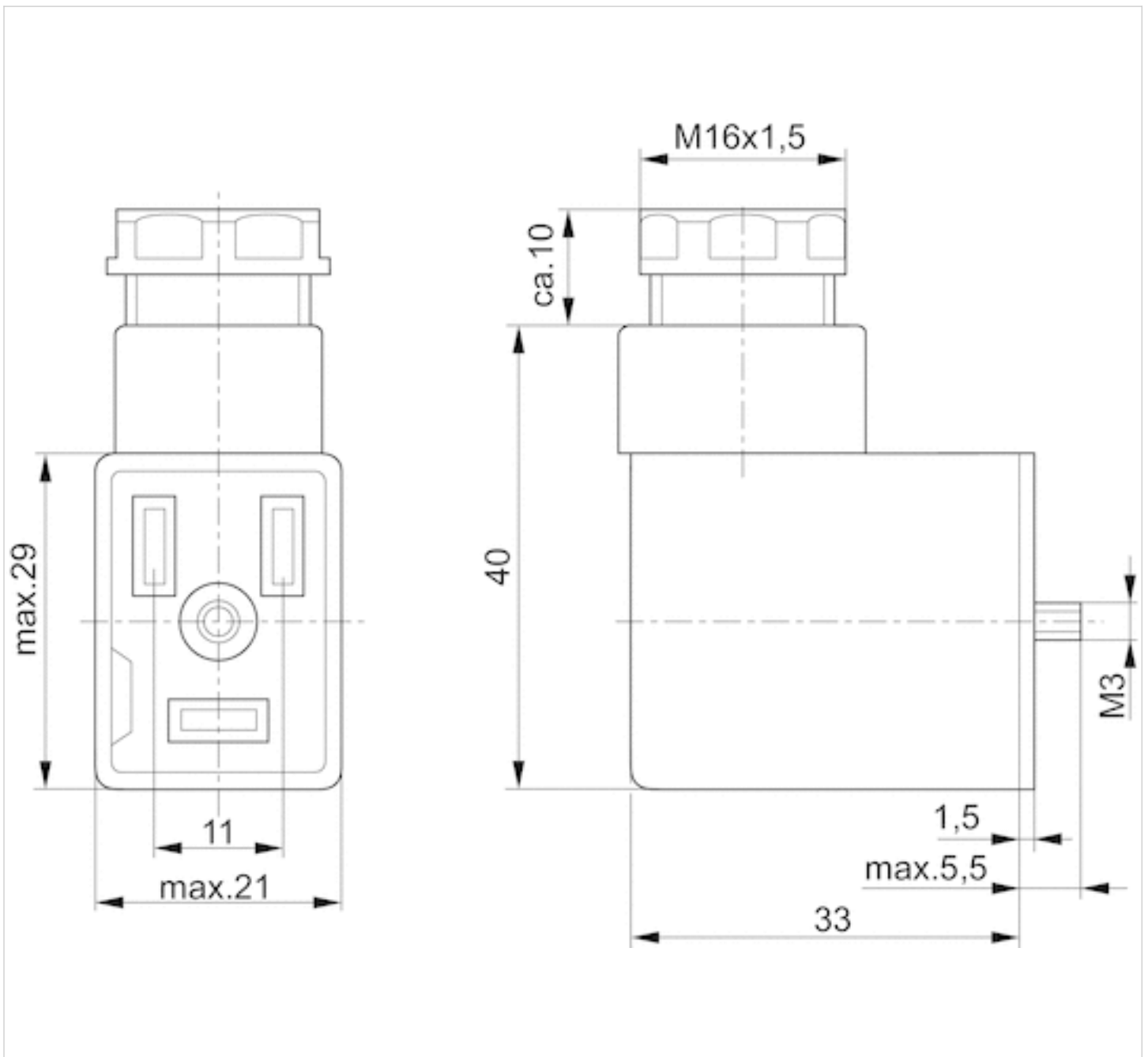


Fig. 2



# Efficient pneumatic solutions, our program: cylinders and drives, valves and valve systems, air supply management



Visit us: [Emerson.com/Aventics](https://www.emerson.com/Aventics)

Your local contact: [Emerson.com/contactus](https://www.emerson.com/contactus)



Emerson.com



[Facebook.com/EmersonAutomationSolutions](https://www.facebook.com/EmersonAutomationSolutions)



[LinkedIn.com/company/Emerson-Automation-Solutions](https://www.linkedin.com/company/Emerson-Automation-Solutions)



[Twitter.com/EMR\\_Automation](https://twitter.com/EMR_Automation)

An example configuration is depicted on the title page. The delivered product may thus vary from that in the illustration. Subject to change. This Document, as well as the data, specifications and other information set forth in it, are the exclusive property of AVENTICS GmbH. It may not be reproduced or given to third parties without its consent. Only use the AVENTICS products shown in industrial applications. Read the product documentation completely and carefully before using the product. Observe the applicable regulations and laws of the respective country. When integrating the product into applications, note the system manufacturer's specifications for safe use of the product. The data specified only serve to describe the product. No statements concerning a certain condition or suitability for a certain application can be derived from our information. The information given does not release the user from the obligation of own judgement and verification. It must be remembered that the products are subject to a natural process of wear and aging.

The Emerson logo is a trademark and service mark of Emerson Electric Co. Brand logotype are registered trademarks of one of the Emerson family of companies. All other marks are the property of their respective owners. © 2020 Emerson Electric Co. All rights reserved.  
2020-12



**CONSIDER IT SOLVED™**